

SIEMENS

Ingenuity for life



**SIMOTICS XP 1MB0013
系列低压粉尘防爆电机
SIMOTICS XP 1MB0013
Low-Voltage Dust
Explosion-proof Motor**

产品样本 Catalogue Dec.2019



目录 Contents

概览 Overview	3
产品概述 Product Overview	8
MLFB 介绍 Order No.	19
选型技术数据表 Technical data table	20
选件 Options	24
外形尺寸 Dimension drawings	26
证书 Certificates	31



概览

在许多工业和公共部门，爆炸危险一直存在，例如在化学工业、炼油厂、钻井平台、加油站、饲料制造和污水处理厂。

当爆炸性的气体、烟雾、雾气或尘埃与空气中的氧气以一定的易爆比例混合时，如果有接近于能够释放所谓最小点火能量的着火源，会存在爆炸的风险。

特别是在化学工业和石化工业中，当原油和天然气在运输时，或在采矿、碾磨（例如：谷物和固体颗粒）时，爆炸会造成严重的人员受伤和设备损坏。

为了保证在这些地区的安全性，大多数国家的立法者都根据国家和国际的标准，以法律和法规的形式制定和实施了适当的规定。

防爆设备的设计可以使正确使用这些设备时避免爆炸。

防爆设备可以根据不同类型的保护来设计。

使用现场必须根据爆炸危险发生的频率，由用户在主管当局的协助下，将其细分为指定区域。不同区域有对应的设备或装置类别。然后针对这些区域分析所需的保护类型，从而选择相应的设备（产品）类型。

Overview

In many industrial and public industries, explosion hazards are ever-present, e.g. the chemicals industry, refineries, on drilling platforms, gas stations, feed manufacturing and sewage treatment plants.

The risk of explosion is always present when gases, fumes, mist or dust are mixed with oxygen in the air in an explosive ratio close to sources of ignition that are able to release the so-called minimum ignition energy.

In the chemical and petrochemical industries in particular, when crude oil and natural gas are being transported, or in mining, milling (e.g. grain and granular solids), explosion can result in serious injury to persons and damage to equipment.

To ensure safety in these areas, legislators in most countries have implemented appropriate stipulations in the form of laws and regulations based on national and international standards.

Explosion-protected equipment is designed such that an explosion can be prevented when it is used properly.

The explosion-protected equipment can be designed in accordance with various types of protection.

The local conditions must be subdivided into specified zones by the user with the assistance of the responsible authorities in accordance with the frequency of occurrence of an explosion hazard. Device (equipment) categories are assigned to these zones. The zones are then subdivided into possible types of protection and therefore into possible equipment (product) types.

区域的分类

有爆炸风险的场所被划分为不同的区域。划分区域的标准取决于危险物质存在的时间以及发生危险的概率。各个区域分类的信息和规则遵循以下标准：

- GB 3836.14, IEC/EN 60079-10-1 适用于气体环境
- GB 12476.3, IEC/EN 60079-10-2 适用于粉尘环境

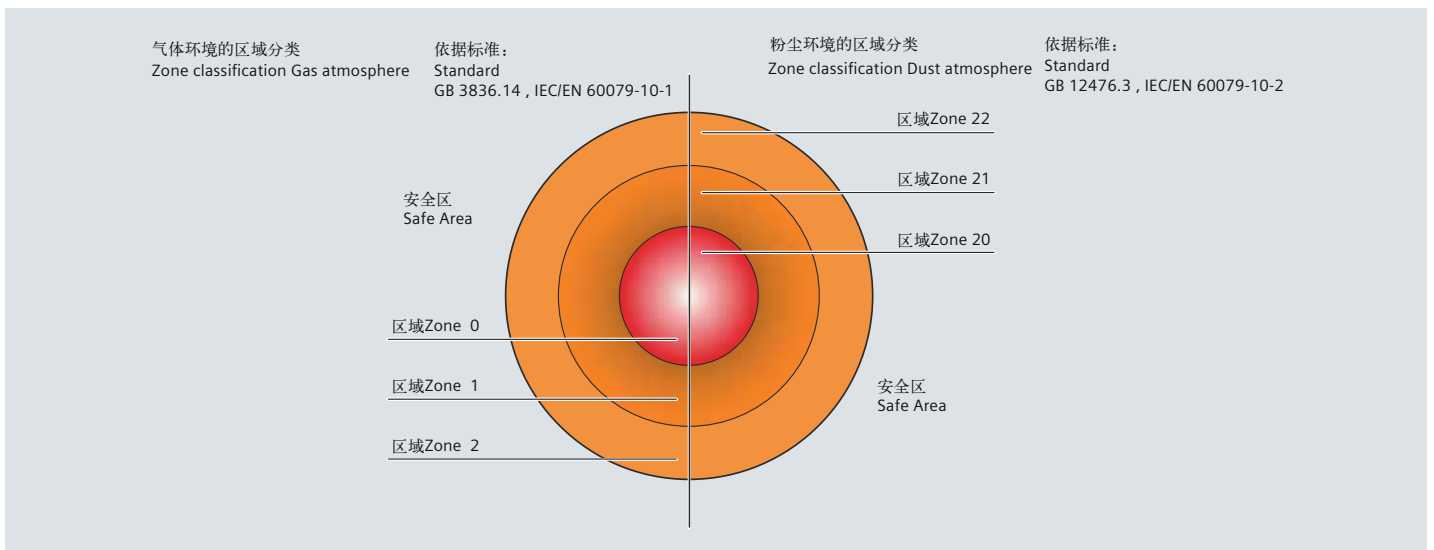
此外，在不同的爆炸分组和温度等级之间进行了分类，这些都包含在危险等级评估中。

Classification of zones

Areas subject to explosion hazard are divided into zones. Zoning is based on the presence time of explosive substances and probability of explosion. Information and specifications for classification of the zones are laid down in the following standards:

- GB 3836.14, IEC/EN 60079-10-1 for gas atmospheres
- GB 12476.3, IEC/EN 60079-10-2 for dust atmospheres

Furthermore, a distinction is made between various explosion groups as well as temperature classes and these are included in the hazard assessment.



根据各区域的分类和存在的危险，所使用的设备必须满足最低防护要求。设备必须在符合要求的工况下使用，以避免点燃外部的爆炸性环境。

Depending on the particular zone and therefore the associated hazard, operating equipment must comply with defined minimum requirements regarding the type of protection. The different types of protection require corresponding measures to prevent ignition that should be implemented at the motor in order to prevent a surrounding explosive atmosphere from being ignited.

区域 Zone		区域定义的标准: Zone definition acc. to GB3836.14 & IEC/EN 60079-10-1 用于气体环境 for gas atmospheres GB 12476.3 & IEC/EN 60079-10-2 用于粉尘环境 for dust atmospheres	分配 保护类型 Assigned types of protection	分类根据 Category according to 2014/34/EU	设备保护等级根据 Equipment protection level acc. to GB3836.1 & IEC/EN 60079-0
气体 Gas 1) 2)	粉尘 Dust 1) 2)				
0	-	持续、长时间或频繁存在爆炸性气体环境的区域 An area in which there is an explosive gas atmosphere constantly, over a long period or frequently.	不允许低压电机 Low-voltage motors not permitted	1	Ga
1	-	在正常运行过程中, 预计偶尔会出现爆炸性气体环境的区域 An area in which it is expected that an explosive gas atmosphere will occur occasionally during normal operation.	Ex e(GB) 或or Ex eb(IEC), Ex de, Ex d(GB) 或or Ex db(IEC)	2	Gb
2	-	在正常运行过程中, 预计很少或只短暂出现爆炸性气体环境的区域 An area in which it is expected that an explosive gas atmosphere will occur only rarely and then only briefly during normal operation.	Ex nA(GB) 或 Ex ec(IEC)	3	Gc
-	20	持续、长时间或频繁存在由粉尘-空气混合物组成的爆炸性气体环境的区域 An area in which there is an explosive gas atmosphere comprising a dust-air mixture constantly, over a long period or frequently.	不允许低压电机 Low-voltage motors not permitted	1	Da
-	21	在正常运行的过程中, 预计会偶尔存在由粉尘-空气混合物组成的爆炸性气体环境的区域 An area in which it is expected that an explosive gas atmosphere comprising a dust-air mixture will occur occasionally during normal operation.	Ex tb	2	Db
-	22	在正常运行的过程中, 预计很少或只短暂在空气中形成一团易燃尘埃的爆炸性气体环境的区域 An area in which it is expected that an explosive gas atmosphere in the form of a cloud of flammable dust in air will occur only rarely and then only briefly during normal operation.	Ex tc ³⁾	3	Dc

¹⁾ 电机用于

- 区域 1 也可以用于区域 2.
- 区域 21 也可以用于区域 22.

²⁾ 若电机仅有气体防爆认证或粉尘防爆认证, 不允许在混合环境中使用。混合环境: 爆炸性的气体和粉尘同时在大气环境中存在。

³⁾ Ex tc 电机不允许在含有导电粉尘的环境中运行。

¹⁾ Motors of

- Zone 1 can also be used in Zone 2.
- Zone 21 can also be used in Zone 22.

²⁾ Motors which are certified for gas or dust protection must not be used in hybrid mixtures! Hybrid mixtures: when explosive gas and dust atmospheres occur simultaneously.

³⁾ Ex tc motors are not approved for operation in environments containing conductive dust.

应用

以下情况常常需要选用防爆电机, 以防止爆炸对人造成严重伤害和对财产造成严重损失。

- 化工和石化行业
- 矿物油和天然气生产
- 煤气产业
- 煤气供应公司
- 加油站
- 焦化厂
- 磨粉厂(例如: 玉米, 固体)
- 污水处理厂
- 木材加工(例如: 木屑, 树脂)
- 其他易受爆炸危害的行业

Application

The explosion-proof motors are often used in the following industries to prevent explosion hazards that result in serious injury to persons and severe damage to property.

- Chemical and petrochemical industry
- Production of mineral oil and gas
- Gas works
- Gas supply companies
- Petrol stations
- Coking plants
- Mills (e.g. corn, solids)
- Sewage treatment plants
- Wood processing (e.g. sawdust, tree resin)
- Other industries subject to explosion hazards

常见可燃性粉尘特性

Characteristics of common flammable dust

粉尘种类 Type of dust	粉尘名称 Type of dust	高温表面堆积粉尘层 (5mm) 的引燃温度 (°C) Ignition temperature of dust layer (5mm) at high temperature surface (5mm) (°C)	粉尘云的引 燃温度 (°C) Ignition temperature of dust cloud (°C)	爆炸下限 浓度 (g/m ³) Lowest concentration of explosion (g/m ³)	粉尘平均 粒径 (μm) Average particle size of dust (μm)	危险 性质 Dangerous nature	粉尘 等级 Dust grade
金属 Metal	铝 (表面处理) Aluminum (surface treatment)	320	590	37~50	10~15	导 CONDUCTIVE	III C
	铝 (含脂) Aluminum (containing fat)	230	400	37~50	10~20	导 CONDUCTIVE	III C
	铁 Iron	240	430	153~204	100~150	导 CONDUCTIVE	III C
	镁 magnesium	340	470	44~59	5~10	导 CONDUCTIVE	III C
	红磷 Phosphorus	305	360	48~64	30~50	非 NON-CONDUCTIVE	III B
	炭黑 Carbon	535	> 600	36~45	10~20	导 CONDUCTIVE	III C
	钛 Titanium	290	375	-	-		III C
	锌 Zinc	430	530	212~284	10~15	导 CONDUCTIVE	III C
	电石 Calcium carbide	325	555	-	<200	非 NON-CONDUCTIVE	III B
	钙硅铝合金 (8% 钙, 30% 硅, 55% 铝) Calcium silicon aluminum alloy (8% calcium, 30% silicon, 55% aluminum)	290	465	-	-	导 CONDUCTIVE	III C
	硅铁合金 (45% 硅) Ferrosilicon alloy (45% silicon)	> 450	640	-	-	导 CONDUCTIVE	III C
	黄铁矿 Pyrite	445	555	-	<90	导 CONDUCTIVE	III C
	锆石 Zircon	305	360	92~123	5~10	导 CONDUCTIVE	III C
化学 药品 Chemical medicine	硬脂酸锌 Zinc stearate	熔融 Melting	315	-	8~15	非 NON-CONDUCTIVE	III B
	萘 Naphthalene	熔融 Melting	575	28~38	30~100	非 NON-CONDUCTIVE	III B
	蒽 Anthracene	熔融升华 Melting sublimation	505	29~39	40~50	非 NON-CONDUCTIVE	III B
	己二酸 Adipic acid	熔融 Melting	580	65~90	-	非 NON-CONDUCTIVE	III B
	苯二 (甲) 酸 Benzene 2 (a) acid	熔融 Melting	650	61~83	80~100	非 NON-CONDUCTIVE	III B
	无水苯二 (甲) 酸 (粗制品) Anhydrous benzene 2 (a) acid (crude)	熔融 Melting	605	52~71	-	非 NON-CONDUCTIVE	III B
	苯二甲酸腈 Benzoate	熔融 Melting	> 700	37~50	-	非 NON-CONDUCTIVE	III B
	无水马来酸 (粗制品) Anhydrous maleic acid (crude)	熔融 Melting	500	82~113	-	非 NON-CONDUCTIVE	III B
	醋酸钠酯 Sodium acetate	熔融 Melting	520	51~70	5~8	非 NON-CONDUCTIVE	III B
	结晶紫 Crystal violet	熔融 Melting	475	46~70	15~30	非 NON-CONDUCTIVE	III B
	四硝基咪唑 Four nitro carbazole	熔融 Melting	395	92~123	-	非 NON-CONDUCTIVE	III B
	二硝基甲酚 Two nitro cresol	熔融 Melting	340	-	40~60	非 NON-CONDUCTIVE	III B
	阿司匹林 Aspirin	熔融 Melting	405	31~41	60	非 NON-CONDUCTIVE	III B
	肥皂粉 Soap powder	熔融 Melting	575	-	80~100	非 NON-CONDUCTIVE	III B
	青色燃料 Green fuel	350	465	-	300~500	非 NON-CONDUCTIVE	III B
	萘酚燃料 Naphthol fuel	395	415	133~184	-	非 NON-CONDUCTIVE	III B
合成 树脂 Synthetic resin	聚乙烯 Polyethylene	熔融 Melting	410	26~35	30~50	非 NON-CONDUCTIVE	III B
	聚丙烯 Polypropylene	熔融 Melting	430	25~35	-	非 NON-CONDUCTIVE	III B
	聚苯乙烯 Polystyrene	熔融 Melting	475	27~37	40~60	非 NON-CONDUCTIVE	III B
	苯乙烯 (70%) 与丁二烯 (30%) 粉状聚合物 Styrene (70%) and butadiene (30%) powdery polymerization	熔融 Melting	420	27~37	-	非 NON-CONDUCTIVE	III B
	聚乙烯醇 Polyvinyl alcohol	熔融 Melting	450	42~55	5~10	非 NON-CONDUCTIVE	III B
	聚丙烯腈 Polyacrylonitrile	熔融炭化 Melting carbonization	505	35~55	5~7	非 NON-CONDUCTIVE	III B
	聚氨酯 (类) Polyurethane (class)	熔融 Melting	425	46~63	50~100	非 NON-CONDUCTIVE	III B
	聚乙烯四肽 Polythene four peptide	熔融 Melting	480	52~71	<200	非 NON-CONDUCTIVE	III B
	聚乙烯氮戊环酮 Polyvinyl amyl ketone	熔融 Melting	465	42~58	10~15	非 NON-CONDUCTIVE	III B
	聚氯乙烯 Polyvinyl chloride (PVC)	熔融炭化 Melting carbonization	595	63~86	4~5	非 NON-CONDUCTIVE	III B
	氯乙烯 (70%) 与苯乙烯 (30%) 粉状聚合物 Chloroethylene (70%) and styrene (30%) powdery polymerization	熔融炭化 Melting carbonization	520	44~60	30~40	非 NON-CONDUCTIVE	III B
	酚醛树脂 (酚醛清漆) Phenolic resin (phenolic varnish)	熔融炭化 Melting carbonization	520	36~40	10~20	非 NON-CONDUCTIVE	III B
	有机玻璃粉 Organic glass powder	熔融炭化 Melting carbonization	485	-	-	非 NON-CONDUCTIVE	III B

粉尘种类 Type of dust	粉尘名称 Type of dust	高温表面堆积粉尘层 (5mm)的引燃温度(°C) Ignition temperature of dust layer (5mm) at high temperature surface (5mm) (°C)	粉尘云的引燃温度(°C) Ignition temperature of dust cloud (°C)	爆炸下限浓度(g/m³) Lowest concentration of explosion (g/m³)	粉尘平均粒径(μm) Average particle size of dust (μm)	危险性 Dangerous nature	粉尘等级 Dust grade
天然树脂 Natural resin	骨胶(虫胶) Bone glue (shellac)	沸腾 Boiling	475	-	20~50	非 NON-CONDUCTIVE	III B
	硬质橡胶 Hard rubber	沸腾 Boiling	360	36~49	20~30	非 NON-CONDUCTIVE	III B
	软质橡胶 Soft rubber	沸腾 Boiling	425	-	80~100	非 NON-CONDUCTIVE	III B
	天然树脂 Natural resin	熔融 Melting	370	38~52	20~30	非 NON-CONDUCTIVE	III B
	蛄钋树脂 Mantis palladium resin	熔融 Melting	330	30~41	20~50	非 NON-CONDUCTIVE	III B
沥青蜡类 Asphalt waxes	松香 Rosin	熔融 Melting	325	-	50~80	非 NON-CONDUCTIVE	III B
	硬蜡 Hard wax	熔融 Melting	400	26~36	80~50	非 NON-CONDUCTIVE	III B
	绕组沥青 Winding asphalt	熔融 Melting	620	-	50~80	非 NON-CONDUCTIVE	III B
	硬沥青 Hard asphalt	熔融 Melting	620	-	50~150	非 NON-CONDUCTIVE	III B
	烧焦油沥青 Charred asphalt	熔融 Melting	580	-	-	非 NON-CONDUCTIVE	III B
农产品 Agricultural products	裸麦粉 Rye flour	325	415	67~93	30~50	非 NON-CONDUCTIVE	III B
	裸麦谷物粉(未处理) Rye grain flour (untreated)	305	430	-	50~100	非 NON-CONDUCTIVE	III B
	裸麦筛落粉(粉碎品) Rye powder (crushed)	305	415	-	30~40	非 NON-CONDUCTIVE	III B
	小麦粉 Wheat flour	炭化 Carbonization	410	-	20~40	非 NON-CONDUCTIVE	III B
	小麦谷物粉 Wheat grain powder	290	420	-	15~30	非 NON-CONDUCTIVE	III B
	小麦筛落粉(粉碎品) Wheat sifting powder (comminuted product)	290	410	-	3~5	非 NON-CONDUCTIVE	III B
	乌麦、大麦、谷物粉 Rye, barley and cereal flour	270	440	-	50~150	非 NON-CONDUCTIVE	III B
	筛米糠 Sieve rice bran	270	420	-	50~150	非 NON-CONDUCTIVE	III B
	玉米淀粉 Corn starch	炭化 Carbonization	410	-	2~30	非 NON-CONDUCTIVE	III B
	马铃薯粉 Potato powder	炭化 Carbonization	430	-	60~80	非 NON-CONDUCTIVE	III B
	布丁粉 Pudding powder	炭化 Carbonization	395	-	10~20	非 NON-CONDUCTIVE	III B
	糊精粉 Dextrin powder		400	71~99	20~30	非 NON-CONDUCTIVE	III B
	砂糖粉 Sugar powder	熔融 Melting	360	77~107	20~40	非 NON-CONDUCTIVE	III B
乳糖 lactose	熔融 Melting	450	83~115	-	非 NON-CONDUCTIVE	III B	
纤维 Fiber fish meal	可可子粉(脱脂品) Cocoa seed powder (nonfat)	245	460	-	30~40	非 NON-CONDUCTIVE	III B
	咖啡粉(精致品) Coffee powder (delicacy)	收缩	600	-	40~80	非 NON-CONDUCTIVE	III B
	啤酒麦芽粉 Beer malt powder	285	405	-	100~500	非 NON-CONDUCTIVE	III B
	紫苜蓿 Purple alfalfa	280	480	-	200~500	非 NON-CONDUCTIVE	III B
	亚麻粕粉 Flax meal powder	285	470	-	-	非 NON-CONDUCTIVE	III B
	菜种渣粉 Dish of slag powder	炭化	465	-	400~500	非 NON-CONDUCTIVE	III B
	鱼粉 Fish meal	炭化	485	-	80~100	非 NON-CONDUCTIVE	III B
	烟草纤维 Tobacco fiber	290	485	-	50~100	非 NON-CONDUCTIVE	III A
	木棉纤维 Kapok fiber	385	-	-	-	非 NON-CONDUCTIVE	III A
	人造短纤维 Artificial short fiber	305	-	-	-	非 NON-CONDUCTIVE	III A
	亚硫酸盐纤维 Sulfite fiber	380	-	-	-	非 NON-CONDUCTIVE	III A
	木质纤维 Wood fiber	250	445	-	40~80	非 NON-CONDUCTIVE	III A
	纸纤维 Paper fiber	360	-	-	-	非 NON-CONDUCTIVE	III A
	椰子粉 Coconut powder	280	450	-	100~200	非 NON-CONDUCTIVE	III B
	软木粉 Cork powder	325	460	44~59	30~40	非 NON-CONDUCTIVE	III B
	针叶树(松)粉 Coniferous tree (pine) powder	325	440	-	70~150	非 NON-CONDUCTIVE	III B
硬木(丁钠橡胶)粉 Hard wood (sodium rubber) powder	315	420	-	70~100	非 NON-CONDUCTIVE	III B	
燃料 Fuel	泥煤粉(堆积) Coal dust (packing)	260	450	-	60~90	导 CONDUCTIVE	III C
	褐粉煤(生褐粉) Lignite (raw brown powder)	260	450	49~68	2~3	非 NON-CONDUCTIVE	III B
	褐煤粉 Brown pulverized coal	230	185	-	3~7	导 CONDUCTIVE	III C
	有烟煤粉 Smoke pulverized coal	235	595	41~57	5~11	导 CONDUCTIVE	III C
	瓦斯煤粉 Pulverized coal gas	225	580	35~48	5~10	导 CONDUCTIVE	III C
	焦炭用煤粉 Pulverized coal for coke	280	610	33~45	5~10	导 CONDUCTIVE	III C
	贫煤粉 Coal powder	285	680	34~45	5~7	导 CONDUCTIVE	III C
	无烟煤粉 Smokeless pulverized coal	> 430	> 600	-	100~130	导 CONDUCTIVE	III C
	木炭粉(硬质) Charcoal powder (hard)	340	595	39~52	1~2	导 CONDUCTIVE	III C
	泥煤焦炭粉 Peat coke powder	360	615	40~54	1~2	导 CONDUCTIVE	III C
	褐煤焦炭粉 Lignite coke powder	235	-	-	4~5	导 CONDUCTIVE	III C
煤焦炭粉 Coal coke powder	430	> 750	37~50	4~5	导 CONDUCTIVE	III C	

注:

- III A 级为可燃性飞絮;
- III B 级为非导电性粉尘;
- III C 级为导电性粉尘。

Note:

- III A grade is Combustible flyings;
- III B grade is non-conductive dust;
- III C grade is conductive dust.

产品概述 Product Overview



额定功率：0.55 ~ 90 kW
机座号：80 ~ 280
电压与频率：支持多种电压与频率
冷却方式：IC411
防爆标志：Ex tD A21 IP65 T130℃
防护等级：IP65
绝缘系统：F级
注油装置：机座号280电机标配
环境温度：-20℃ ~ +40℃
海拔高度：不超过1000米

Rated output: 0.55 ~ 90 kW
Frame size: 80 ~ 280
Voltage and Frequency: Support multiple voltage and frequency
Cooling method: IC411
Frame-proof marking: Ex tD A21 IP65 T130℃
Protect degree: IP65
Insulation class: F
Re-greasing device: FS280 motor as standard
Ambient temperature: -20℃ ~ +40℃
Site altitude above sea level: Not exceed 1000m

西门子系列高效粉尘防爆型三相异步电动机是全封闭、自扇冷却高效电动机，该系列产品效率满足 GB18613-2012 能效等级 2 级标准要求。

粉尘防爆电机可用于粮食或饲料加工、木材加工、面粉加工或储存，以及金属、化学药品、合成树脂、农产品、各种纤维、燃料等等可燃性粉尘场所。具体粉尘种类见“粉尘特性举例”，但该电机不适用于瓦斯和/或可燃性粉尘引起危险的煤矿井下以及煤矿地面装置用电气设备，也不适用于不需要大气中的氧即可燃烧的炸药粉尘或自燃物质（如磷粉）。

西门子粉尘防爆电动机防爆性能符合GB 12476.1-2013《可燃性粉尘环境用电气设备 第1部分：通用要求》和GB 12476.5-2013《可燃性粉尘环境用电气设备 第5部分：外壳保护型“tD”》的规定，适用爆炸性粉尘环境的21区，22区。

Siemens series high efficiency dust explosion-proof three-phase asynchronous motor is totally enclosed, self-fan cooled high efficiency motor. The products meet the requirements of the GB18613-2012 efficiency of energy efficiency grade 2.

Dust explosion-proof motor can be used for food or forage machine, wood machine, flour machine or storage, as well metal, chemicals, synthetic resin, agricultural products and all kinds of combustible dust places such as fiber, fuel and so on. Detailed types of dust refer to "dust characteristics example," but this series motors are not suitable for gas or underground coal mine with combustible dust and coal mine ground device with electrical equipment, also can't be used in place with explosive dust and spontaneous combustion substances (e.g. phosphorus powder) but can burn without oxygen from the atmosphere.

Siemens dust explosion-proof motor's performance fulfill GB 12476.1-2013 "Combustible dust environment for electrical equipment -part 1: General requirements" and GB 12476.5-2013 "Combustible dust environment for electrical equipment - Part 5: Housing protection type" tD "", suitable for explosive dust environment Zone 21 or zone 22.

设计参考标准

Reference Standard

名称 Title	中国国家标准 Chinese standard	IEC标准 IEC standard
《可燃性粉尘环境用电气设备 第1部分：通用要求》 Electrical apparatus for use in the presence of combustible dust - Part 1: General requirements	GB 12476.1	IEC 61241-0
《可燃性粉尘环境用电气设备 第3部分：存在或可能存在可燃性粉尘的场所分类》 Electrical apparatus for use in the presence of combustible dust - Part3: Classification of areas where combustible dusts are or may be present	GB 12476.3	IEC 60079-10-2
《可燃性粉尘环境用电气设备 第5部分：外壳保护型“tD”》 Electrical apparatus for use in the presence of combustible dust Part5: Protection by enclosures “tD”	GB 12476.5	IEC 61241-1
1MB0013/1MT0013系列粉尘防爆型三相异步电动机技术条件（机座号80~280） 1MB0013/1MT0013 series dust explosion proof three-phase asynchronous motors - Technical specification (frame size 80 ~ 280)	Q/321081 KJA016-2019	
《包装储运图示标志》 Packaging - Distribution packaging - Graphical symbols for handling and storage of packages	GB/T 191	ISO 780
《旋转电机 定额和性能》 Rotating electrical machines - Part 1: Rating and performance	GB/T 755	IEC 60034-1
《旋转电机(牵引电机除外)确定损耗和效率的试验方法》 Rotating electrical machines - Part 2: Methods for determining losses and efficiency of rotating electrical machinery from tests (excluding machines for traction vehicles)	GB/T 755.2	IEC 60034-2
《旋转电机结构型式、安装型式及接线盒位置的分类（IM代码）》 Rotating electrical machines; part 7: classification of types of constructions and mounting arrangements (IM code)	GB/T 997	IEC 60034-7
《三相异步电动机试验方法》 Rotating electrical machines - Part 2-1: Standard methods for determining losses and efficiency from tests (excluding machines for traction vehicles)	GB/T 1032	IEC 60034-2-1
《旋转电机 线端标志与旋转方向》 Rotating electrical machines - Part 8: Terminal markings and direction of rotation	GB/T 1971	IEC 60034-8
《旋转电机冷却方法》 Rotating electrical machines; part 6: methods of cooling (IC code)	GB/T 1993	IEC 60034-6
《电工电子产品环境试验 第2部分：试验方法 试验Db 交变湿热（12h+12h循环）》 Environmental testing - Part 2-30: Tests - Test Db: Damp heat, cyclic (12 h + 12 h cycle)	GB/T 2423.4	IEC 60068-2-30
《旋转电机尺寸和输出功率等级 第1部分：机座号56~400和凸缘号55~1080》 Dimensions and output series for rotating electrical machines; part 1: frame numbers 56 to 400 and flange numbers 55 to 1080	GB/T 4772.1	IEC 60072-1
《旋转电机整体结构的防护等级（IP代码）-分级》 Rotating electrical machines - Part 5: Degrees of protection provided by the integral design of rotating electrical machines (IP code); Classification	GB/T 4942.1	IEC 60034-5
《轴中心高为56 mm及以上电机的机械振动 振动的测量、评定及限值》 Rotating electrical machines - Part 14: Mechanical vibration of certain machines with shaft heights 56 mm and higher; Measurement, evaluation and limits of vibration severity	GB/T 10068	IEC 60034-14
《旋转电机噪声测定方法及限值 第1部分：旋转电机噪声测定方法》 Acoustics - Test code for the measurement of airborne noise emitted by rotating electrical machines	GB/T 10069.1	ISO 1680
《旋转电机噪声测定方法及限值 第3部分：噪声限值》 Rotating electrical machines - Part 9: Noise limits	GB/T 10069.3	IEC 60034-9
《中小型旋转电机通用安全要求》 General requirements for safety of small and medium size rotating electrical machines	GB/T 14711	
《中小型三相异步电动机能效限定值及能效等级》 Minimum allowable values of energy efficiency and energy efficiency grades for small and medium three-phase asynchronous motors	GB 18613	IEC 60034-30
《电气绝缘 耐热性和表示方法》 Electrical insulation - Thermal evaluation and designation	GB/T 11021	IEC 60085
《交流低压电机散嵌绕组匝间绝缘 第1部分：试验方法》 Interturn insulation of random-wound winding for AC low-voltage electrical machines- Part 1: Test methods	GB/T 22719.1	
《交流低压电机散嵌绕组匝间绝缘 第2部分：试验限值》 Interturn insulation of random-wound winding for AC low-voltage electrical machines- Part 2: Test limits	GB/T 22719.2	
《电工电子产品自然环境条件 温度和湿度》 Classification of environmental conditions - Part 2-1: Environmental conditions appearing in nature - Temperature and humidity	GB/T 4797.1	IEC 60721-2-1
《标准电压》 IEC standard voltages	GB/T 156	IEC 60038

运行环境

- 防护等级 IP65 (IEC 60034-5) ;
- 高度不超过海拔 1000 m (IEC 60034-1) ;
- 允许的环境温度在 -20 °C ~ 40 °C (IEC 60034-1) ;
- 所允许的相对湿度:
 - -20 °C ≤ T ≤ 20 °C: 100 %
 - 20 °C < T ≤ 30 °C: 95 %
 - 30 °C < T ≤ 40 °C: 55 %

对于更高的环境温度、以及（或者）高于海拔 1000 m 的地点，电动机的额定功率换算系数为 k_{HT} 。所允许的功率值 (P_{adm}) :

$$P_{adm} = P_{rated} \cdot k_{HT}$$

Environmental

- Degrees of motor protection IP65 (IEC 60034-5);
- Altitude shall not exceed 1000m above sea-level (IEC 60034-1);
- Allowed air temperature between -20 °C and 40 °C (IEC 60034-1);
- Permitted relative humidity:
 - -20 °C ≤ T ≤ 20 °C: 100 %
 - 20 °C < T ≤ 30 °C: 95 %
 - 30 °C < T ≤ 40 °C: 55 %

For higher coolant temperatures and / or site altitudes higher than 1000 m above sea level, the specified motor output must be reduced by using the factor k_{HT} . The results in an admissible output (P_{adm}) of the motor:

$$P_{adm} = P_{rated} \cdot k_{HT}$$

对于不同高度和（或）不同环境温度的功率换算系数 k_{HT}
Factor k_{HT} for different site altitudes and / or coolant temperature

海拔高度 Site altitude above sea level	对应海拔高度的环境温度 Site altitude above sea level Coolant temperature					
	< 30 °C	30 ~ 40 °C	45 °C	50 °C	55 °C	60 °C
1000 m	1.07	1.00	0.96	0.92	0.87	0.82
1500 m	1.04	0.97	0.93	0.89	0.84	0.79
2000 m	1.00	0.94	0.90	0.86	0.82	0.77
2500 m	0.96	0.90	0.86	0.83	0.78	0.74
3000 m	0.92	0.86	0.82	0.79	0.75	0.70
3500 m	0.88	0.82	0.79	0.75	0.71	0.67
4000 m	0.82	0.77	0.74	0.71	0.67	0.63

噪声

噪声值

噪声值根据 DIN EN ISO 1680 标准在噪音室测得。表面声压级噪声 L_{pfa} 计算表示单位为 dB (A)。声压级噪声的空间平均值是在其测量面上测得的。测量面是距离电机1米的测量包络面。声功率级噪声用 L_{WA} 来表示，单位为 dB (A)。噪音值见选型数据表，选型数据表中的噪声值仅适用于全封闭自扇冷却（冷却方式：IC411）。电动机在 50 Hz 电源供电空载运行时，噪音容差为 +3 dB。当在 60 Hz 电源下空载运行时，噪音容差大约为 +4 dB。

Noise levels

Noise levels for mains-fed operation

The noise levels are measured in accordance with DIN EN ISO 1680 in a anechoic room. It is specified as the A-valued measuring-surface sound pressure level L_{pfa} in dB (A). This is the spatial mean value of the sound pressure levels measured on the measuring surface. The measuring surface is a cube 1 m away from the motor surface. The sound power level is also specified as L_{WA} in dB (A). Please find the noise value in technical data table, the specified values are only valid for totally enclosed fan cooling (cooling method: IC411) motor with no load at 50 Hz with no load, and the tolerance is +3 dB. While motor operating 60 Hz with no load, the values are approximately +4 dB (A) higher.

振动

所有电动机转子都使用半键按照 A 级（标准）振动等级进行动态平衡。电动机在空载时测得振动速度有效值不超过下表中的 A 级所列值。电机还可选择B级振动等级设计。

振动等级 Vibration grade	安装方式 Mounting type	56 ≤ FS ≤ 132		160 ≤ FS ≤ 280		280 < FS ≤ 355	
		振动速度 Vibration velocity (mm/s)	振动加速度 Vibration acceleration (mm/s ²)	振动速度 Vibration velocity (mm/s)	振动加速度 Vibration acceleration (mm/s ²)	振动速度 Vibration velocity (mm/s)	振动加速度 Vibration acceleration (mm/s ²)
A	自由悬置 Free suspension	1.6	2.5	2.2	3.5	2.8	4.4
	刚性安装 Rigid mounting	1.3	2.0	1.8	2.8	2.3	3.6
B	自由悬置 Free suspension	0.7	1.1	1.1	1.7	1.8	2.8
	刚性安装 Rigid mounting	-	-	0.9	1.4	1.5	2.4

Vibration

The rotors are dynamically balanced to severity grade A using a half key. Table below contains the effective vibration values for unloaded motors. Vibration grade B can be provided as option.

铭牌信息 Nameplate

(1)	(2)	(3)	(4)	(6)(5)
SIEMENS DUST EXPLOSION PROOF THREE-PHASE ASYNCHRONOUS MOTOR (H) Ex				
Made in P.R.China 中国制造 粉尘防爆型三相异步电动机 SIEMENS STANDARD MOTORS LTD. 西门子电机(中国)有限公司				
(7)	(8)	(8)	(9)	(10)
(11)	(12)	(13)	(14)	(15)
(17)	(17)		(18)	(32)
(19)			(20)	
(21)			(22)	
(23)				
(24)	(25)	(26)	(27)	(28)
				(29)
				(30)
				(31)

铭牌示例 Nameplate

SIEMENS DUST EXPLOSION PROOF THREE-PHASE ASYNCHRONOUS MOTOR (H) Ex							
Made in P.R.China 中国制造 粉尘防爆型三相异步电动机 SIEMENS STANDARD MOTORS LTD. 西门子电机(中国)有限公司							
TYPE	1MB0013-2DA2	3-3AA4-Z	LMH- 1002 / 800003888993 / 001	Q/321081 KJA016-2019			
280M	IMB3	IP65	600 kg Th.Cl. 155(F)	IEC60034-30			
BRG DE 6317 C3		BRG NDE 6317 C3		GB18613-2012 Eff.-Grade2			
Grease: Unirex N3				Ex tD A21 IP65 T 130°C			
Re-grease interval: 3000h				CNEx19.4891X			
Quantity: 30g							
V	Hz	kW	A	EFF.(%)	cosφ	r/min	EFF.CL
380V△/660VY	50	90	160/92	95.0	0.90	2975	IE3
440V△	60	101	155	95.0	0.90	3570	

1 生产国家	Product country	17 轴承型号	Bearing type
2 商标	Company logo	18 中国能效标准及等级	China efficiency standard and classification
3 生产工厂	Manufacturer	19 润滑脂型号	Bearing grease type
4 产品名称	Product name	20 防爆标识	Mark of explosion protection type
5 防爆标志	Sign of anti-explosion	21 再润滑周期	Re-grease interval
6 键的类型	Feature-key type	22 防爆认证号	Ex certificate number
7 电动机类别	Category of motor	23 加注油脂量	Re-grease quantity
8 订货号	Order number	24 额定电压和接线方式	Rated voltage and connection method
9 生产序列号	Production series number	25 额定频率	Rated frequency
10 企业标准	Company standard	26 额定功率	Rated power
11 机座号	Frame size	27 额定电流	Rated current
12 安装结构型式	Mounting type	28 效率	Efficiency
13 IP防护等级	IP protection level	29 功率因数	Power factor
14 整机重量	Weight	30 额定转速	Rated speed
15 热等级	Thermal level	31 能效等级	Efficiency level
16 IEC能效标准	IEC Efficiency standard	32 二维码	QR code

防爆标志 Ex-Mark

Ex	tD	A21	IP65	T130°C
防爆标识 Marking for prevention of explosions				
防爆类型 Protection type: tD = 外壳保护型 Protection by enclosures				
设备类别 Equipment grouping: A型设备, 适用于21区. Group A, suitable for Zone 21				
外壳防护等级 (IP代码) Enclosure protection level (IP code)				
最高表面温度 Maximum surface temperature				

安装结构型式 Construction and mounting type

结构型式 Construction type	机座带底脚, 端盖无法兰 With feet and without flange on the end-shield (DE)					
安装型式 Mounting type	IM B3 FS 80 ~ 355	IM B6 FS 80 ~ 315	IM B7 FS80 ~ 315	IM B8 FS 80 ~ 315	IM V5 ¹⁾ FS 80 ~ 315	IM V6 ²⁾ FS 80 ~ 315
示意图 Diagram						
电动机订货号第 14 位号上 对应的字母 Letter, position 14 th of Motor code	A	T	U	V	C	D
结构型式 Construction type	机座不带底脚, 端盖有法兰 Without feet and with flange on the end-shield (DE)			机座带底脚, 端盖有法兰 With feet and with flange on the end-shield (DE)		
安装型式 Mounting type	IM B5 FS 80 ~ 315	IM V1 ¹⁾ FS 80 ~ 355	IM V3 ²⁾ FS 80 ~ 315	IM B35 FS 80 ~ 355	IM V15 ¹⁾ FS 80 ~ 315	IM V35 ²⁾ FS 80 ~ 315
示意图 Diagram						
电动机订货号第 14 位号上 对应的字母 Letter, position 14 th of Motor code	F	G	H	J	W	Y
结构型式 Construction type	机座不带底脚, 端盖有标准小法兰 Without feet and with C-flange on the end-shield (DE)			机座带底脚, 端盖有标准小法兰 With feet and with C-flange on the end-shield (DE)		
安装型式 Mounting type	IM B14 FS 80 ~ 160	IM V18 ¹⁾ FS 80 ~ 160	IM V19 ²⁾ FS 80 ~ 160	IM B34 FS 80 ~ 160		
示意图 Diagram						
电动机订货号第 14 位号上 对应的字母 Letter, position 14 th of Motor code	K	M	L	N		

注:

¹⁾ 室外使用时推荐使用护罩 (选件号 H00) ;

²⁾ 当户外安装时, 推荐对电机轴采取防护措施, 避免水直接喷射到电机轴上。

Notes:

¹⁾ At outdoor application, the using of protective cover (option code H00) is recommended;

²⁾ At out door application the protection of shaft again jet-water is recommended.

轴承选型

1MB0013 系列电动机标准配置深沟球轴承，这些轴承是密封的或可再润滑型的。

FS80 ~ 160 范围的电动机驱动端与非驱动端轴承浮动；FS180 ~ 280 电动机驱动端轴承浮动，非驱动端轴承固定。

标准配置的轴承可以承受一定的悬臂力，当电动机轴端承受的悬臂力较大时，可以考虑选择增强悬臂力的轴承设计（选项号：L22）。

Bearing Assignment

1MB0013 series motors are supplied with the ball bearing as standard. These bearings are either of the sealed or regreasable type.

For FS80 ~ 160, the floating bearings are assembled; for FS180 ~ 280, floating bearing at DE, and fixed bearing at NDE assembled.

The standard bearing can endure a maximum cantilever force, the increased cantilever bearing design (Option code: L22) should be considered.

机座号 Frame size	极数 Number of poles	标准配置 Standard design		选项配置 Optional design	
		水平/竖直安装 Horizontal / Vertical mounting		增强悬臂力的设计（选项代码L22） Increased cantilever force (option code L22)	
		驱动端轴承 DE bearing	非驱动端轴承 NDE bearing	驱动端轴承 DE bearing	非驱动端轴承 NDE bearing
80	2,4,6	6204 2Z C3	6204 2Z C3	-	-
90	2,4,6	6205 2Z C3	6205 2Z C3	-	-
100	2,4,6,8	6206 2Z C3	6206 2Z C3	6306 2Z C3	6206 2Z C3
112	2,4,6,8	6206 2Z C3	6206 2Z C3	6306 2Z C3	6206 2Z C3
132	2,4,6,8	6208 2Z C3	6208 2Z C3	6308 2Z C3	6208 2Z C3
160	2,4,6,8	6209 2Z C3	6209 2Z C3	6309 2Z C3	6209 2Z C3
180	2,4,6,8	6310 2Z C3	6310 2Z C3	NU310 C3	6310 2Z C3
200	2,4,6,8	6312 2Z C3	6312 2Z C3	NU312 C3	6312 2Z C3
225	2,4,6,8	6313 2Z C3	6313 2Z C3	NU313 C3	6313 2Z C3
250	2,4,6,8	6315 C3	6315 C3	NU315 C3	6315 C3
280	2,4,6,8	6317 C3	6317 C3	NU317 C3	6317 C3

润滑脂寿命和再润滑周期

对于不可再润滑的轴承，其润滑脂寿命与轴承寿命相当。但是，这只能是在电机严格按照本样本中规定的技术数据运行。

对于以规定间隔再润滑的电机，轴承寿命可以延长，从而补偿不利因素，诸如温度、安装条件、转速、轴承规格和机械载荷造成的影响。

Grease life and re-greasing interval

For permanent lubrication, the bearing grease lifetime is matched to the bearing lifetime. This can, however, only be achieved if the motor is operated in accordance with the catalog specifications.

For motors which can be regreased at defined regreasing intervals, the bearing lifetime can be extended and/or unfavorable factors such as temperature, mounting conditions, speed, bearing size and mechanical load can be compensated.

润滑脂寿命和再润滑周期（电动机水平安装） Grease life (Horizontal installation)

机座号 Frame size	极数 Poles	润滑脂寿命 Grease lifetime up to CT 40 °C ¹⁾
持久润滑型轴承的润滑脂 Grease for permanent lubrication bearing		
80 ~ 160	2, 4, 6, 8	20000 或 (or) 40000 ²⁾
可再润滑型轴承的润滑脂 Grease for regreasable bearing		
180 ~ 250	2	4000 小时 (h)
180 ~ 250	4, 6, 8	8000 小时 (h)
280	2	3000 小时 (h)
280	4, 6, 8	5000 小时 (h)

注：

¹⁾ 当环境温度每升高 10 °C，润滑脂寿命以及再润滑时间缩短一半。

²⁾ 40000 小时适用于电动机水平安装，且轴不受额外的轴向力影响；

Note:

¹⁾ If the coolant temperature is increased by 10 K, the grease lifetime and regreasing interval are halved.

²⁾ 40000 h apply to horizontally installed motors with coupling output without additional axial loads.

当电动机在非正常的条件下运行时，轴承的寿命会缩短。如下面几种情况：

- 当电动机的运行速度高于额定速度时，由于电动机的振动增大，使得轴承受到额外的径向力和轴向力，导致其寿命减少；
- 当环境或设备等因素引起电动机振动加大时，同样轴承也会因此受到额外的径向力和轴向力，而导致其寿命减少；
- 当环境温度每升高 10°C，润滑脂寿命以及再润滑时间缩短一半。

When the motor runs outside of normal conditions, the bearing life will be reduced, such as the following conditions.

- When motor runs beyond the rated speed, the increase of motor vibration will result in the extra radial and axial force on bearing. This will reduce the life of bearing;
- When the motor vibration increase due to the environment or other equipment, the bearing also will endure more radial and axial force. This also will reduce the life of bearing;
- If the coolant temperature is increased by 10 °C, the grease lifetime and regreasing interval is halved.

接线盒技术参数 Connection boxes technical data

机座号 Frame Size	主接线端子数 No. of main terminal	接线螺钉螺纹 Main terminal thread	引接线最大截面积(mm) Max. connectable cross-section	外接电缆直径 Cable diameter (mm) max. ~ min.	进线孔尺寸 Cable entry size	最多容纳辅助端子数 Max. auxiliary terminal
80	6	M4	1.5	13~18	M25x1.5+M16x1.5	12
90						
100						
112		M4	4	18~25	M32x1.5+M32x1.5	12
132						
160		M5	16	22~32	M40x1.5+M40x1.5	14
180						
200		M6	25	32~38	M50x1.5+M50x1.5	14
225						
250		M8	35	37~44	M63x1.5+M63x1.5	14
280						

辅助端子进线孔尺寸 Cable entry size	允许外接电缆直径范围 (mm) Allowed outer cable diameter range (mm)	允许电缆的芯数范围 Allowed core number range of cable	引接线(导体)标称截面积(mm ²) Nominal section area of connection (conductor)(mm ²)
M16 x 1.5	8-11	2-7	1 mm ²
M20 x 1.5	11-14.3	8-10	1 mm ²
M27 x 2	13-20.2	12-27	1 mm ²

注意：

1. 电力电缆建议使用 YJV (GB/17206) 交联聚乙烯绝缘及聚氯乙烯护套 3+1 铜芯电缆。
2. 弱电信号控制电缆建议使用 KVV (GB/T9330) 聚氯乙烯绝缘聚乙烯护套铜芯截面 1 mm² 的多芯控制电缆。
3. 加热带线路为强电信号控制，请使用 KVV 铜芯截面 2 x 1mm² 的控制电缆单独进线。
4. 如果使用电缆直径不在防爆葛兰线径范围内，电机将失去防爆性能。
5. 如果需要使用铠装葛兰需特殊询价。

Note:

1. Power cables are recommended to use YJV (GB/17206) crosslinked polyethylene insulation and PVC sheath 3+1 copper core cable.
2. The control cable of weak current signal is recommended to use KVV (GB/T9330) polyvinyl chloride insulated sheath copper core section 1 mm² multi-core control cable.
3. The heating line is a strong signal control, please use the KVV copper core section 2 x 1mm² control cable to enter the line alone.
4. If the cable diameter is not in the range of explosion protection, the electric motor will lose the explosion-proof property.
5. If you need to use an armored gland, please make a special inquiry.

电气特性

额定输出

西门子电动机的额定功率是指电动机在连续运行的情况下 S1 (IEC 60034-1)，此时周围环境温度为 -20 °C ~ 40 °C，海拔高度不超过 1000 m。

电压、频率

IEC 60034-1 将电压和频率的偏差分为 A 类（电压偏差 $\pm 5\%$ ，频率偏差 $\pm 2\%$ ）和 B 类（电压偏差 $\pm 10\%$ ，频率偏差 $+3\% / -5\%$ ）。电动机均能够在 A 类和 B 类提供额定转矩。在 A 类中，温度比正常运行下温度大约提升 10 K。

Electrical design

Rated Output

Siemens motors rated output powers means that the motor runs under continuous duty S1 (IEC 60034 - 1) operation when operated at ambient temperature from -20 °C to 40 °C and at altitudes of up to 1000 m over sea.

Voltage and Frequency

IEC 60034-1 differentiates between Category A (combination of voltage deviation $\pm 5\%$ and frequency deviation $\pm 2\%$) and Category B (combination of voltage deviation $\pm 10\%$ and frequency deviation $+3\% / -5\%$) for voltage and frequency fluctuations. The motors can supply their rated torque in both Category A and B. In Category A, the temperature rise is approximately 10 K higher than during normal operation.

标准 60034 - 1 Standard 60034 - 1	类别 A Category A	类别 Category B
电压偏差 Voltage deviation	$\pm 5\%$	$\pm 10\%$
频率偏差 Frequency deviation	$\pm 2\%$	$+3\% / -5\%$

根据标准，不推荐电动机在 B 类情况下长时间运行
According to the standard, longer operation is not recommended for Category B.

电气数据公差

- 效率 η
Prated ≤ 150 kW: $-0.15 \times (1 - \eta)$
Prated > 150 kW: $-0.10 \times (1 - \eta)$
效率 η 为小于 1 的值
- 功率因数: $(1 - \cos \phi) / 6$
最小绝对值: 0.02
最大绝对值: 0.07
- 转差率: $\pm 20\%$ (电动机的偏差 < 1 kW $\pm 30\%$ 时是允许的)
- 堵转电流: $+20\%$
- 堵转转矩: $-15\% \sim +25\%$
- 最大转矩: -10%
- 转动惯量: $\pm 10\%$

Tolerance for electrical data

- Efficiency η at
Prated ≤ 150 kW: $-0.15 \times (1 - \eta)$
Prated > 150 kW: $-0.10 \times (1 - \eta)$
With η being a decimal number
- Power factor: $(1 - \cos \phi) / 6$
Minimum absolute value: 0.02
Maximum absolute value: 0.07
- Slip $\pm 20\%$ (for motors < 1 kW $\pm 30\%$ is admissible)
- Locked-rotor current $+20\%$
- Locked-rotor torque -15% to $+25\%$
- Breakdown torque -10%
- Moment of inertia $\pm 10\%$

绝缘系统

1MB0013系列电动机绝缘系统具有可靠性、耐用性好和寿命长、耐冲击能力强的特点。

1MB0013系列电动机标准设计温度等级为155°C (F)。当1MB0013电动机直接供电，且输出额定功率时，其绝缘系统按130°C (B)温度等级使用。

电动机保护

电动机过热保护

电动机热保护是指将温度保护传感器或温度检测传感器嵌入电动机定子绕组或其他适当的地方，从而使其不会因为过热而受到破坏。

不同的电动机热保护方式可以在电动机订货号的第15位采用不同的字母或者选项号来表示。下面是电动机的绕组保护和轴承保护的几种保护方式。

绕组保护

■ PTC 热敏电阻温度保护

目前，最常用的电动机绕组过热保护方式是采用在电动机绕组中安装 PTC 热敏电阻进行保护。由于热敏电阻的热容量较低以及其在绕组间优良的热传导特性，绕组温度可被准确的监控。当达到极限温度时（标称跳闸温度），PTC 热敏电阻阻值会出现一个阶跃变化。这一变化被跳闸装置捕捉后，即可断开辅助回路。

PTC 热敏电阻本身不能耐受大电流和高电压。否则会导致半导体器件损坏。PTC 热敏电阻和跳闸装置的开关滞后效应小，因此可以实现快速重起。对于重载起动、起动频率高、负载变化大、环境温度高或电源波动大等应用场合，建议电动机使用该保护。

Insulation system

The insulation system of 1MB0013 series results in high reliability, a long service life and high resistance to stress, for example, during starting or under overload conditions.

1MB0013 series motors are designed for temperature class 155°C (F). At rated output with line-fed operation, the motors can be used in temperature class 130°C (B).

Motor protection

Motor thermal overload protection

Motor thermal protection means to use of thermal protectors and thermal detectors incorporated into the stator windings or placed in other suitable positions in motor in order to protect them against serious damage due to thermal overloads.

The order variants for motor protection are coded with letters in the 15th position of the Motor Order No., or ordered with Option code. Some protection method about winding protection and bearing protection are shown in the following.

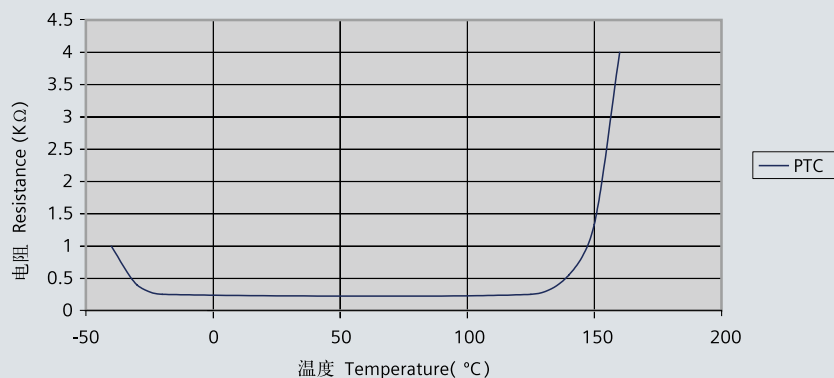
Winding protection

■ PTC thermistors protection

The most comprehensive protection against thermal overloading of the motor is provided by PTC thermistors (thermistor motor protection) installed in the motor winding. The temperature of the winding can be accurately monitored thanks to its low heating capacity and the excellent heat contact with the winding. When a limit temperature is reached (nominal tripping temperature), the resistance of PTC thermistors will have a step change. This is evaluated by a tripping unit and can be used to open auxiliary circuits.

The PTC thermistors themselves cannot be subjected to high currents and voltages. This would result in destruction of the semiconductor. The switching hysteresis of the PTC thermistor and tripping unit is low, which supports fast restarting of the drive. Motors with this type of protection are recommended for heavy duty starting, switching duty, extreme changes in load, high ambient temperatures or fluctuating supply systems.

PTC 曲线图
The graph of PTC



两种 PTC 热敏电阻温度保护

- 电动机绕组带一组三芯串联的 PTC 热敏电阻用于跳闸，跳闸温度为 155 °C，电动机订货号第 15 位字母为“B”，需 2 个辅助接线端子。
- 电动机绕组带两组三芯串联的 PTC 热敏电阻，其中一组用于在电动机跳闸前报警，一组用于跳闸，报警温度为 145 °C，跳闸温度为 155 °C，电动机订货号第 15 位字母为“C”，需 4 个辅助接线端子。

■ PT100 热敏电阻传感器温度保护

PT100 热敏电阻是一种精确高、灵敏度高的传感器，其线性温度阻值优于其他电阻式传感器，性能稳定、可靠性高，其特性曲线如下。

两种 PT100 热敏电阻温度保护

- 电动机绕组带 3 个 2 线制 PT100 测温元件，电动机订货号第 15 位字母为“H”，需 6 个辅助接线端子。
- 电动机绕组带 6 个 2 线制 PT100 测温元件，电动机订货号第 15 位字母为“J”，需 12 个辅助接线端子。

2 alternatives of PTC protection

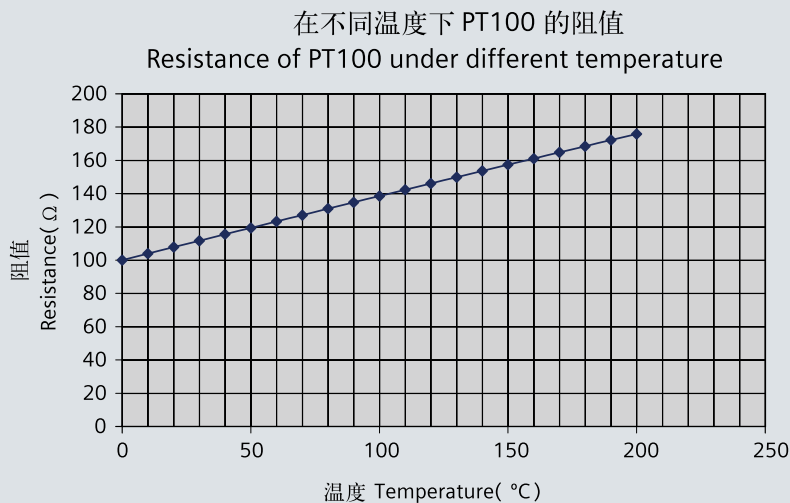
- Motor winding is protected with PTC thermistors with 3 embedded temperature sensors for tripping. Connection be done through 2 auxiliary terminals in the connection box. 15th position of Motor Order No. letter B.
- Motor winding is protected with two sets of three temperature sensors, one set is for warning, another set for tripping. The warning temperature is 145 °C, and tripping temperature is 155 °C. Connection be done through 4 auxiliary terminals in the connection box. 15th position of Motor Order No. letter C.

■ PT100 resistance thermometers protection

PT100 thermometers are a high precision, high sensitivity, better linear temperature resistance, more stable performance, and high reliability sensor, whose characteristics are as following.

2 alternatives of PT100

- Installation of 3 PT100 resistance thermometers. Connection be done through 6 auxiliary terminals in the connection box. 15th position of Motor Order No. letter H.
- Installation of 6 PT100 resistance thermometers. Connection be done through 12 auxiliary terminals in the connection box. 15th position of Motor Order No. letter J.



轴承保护

电动机轴承标配不带任何保护。对于某些苛刻的应用，推荐对轴承采取保护措施。轴承保护是通过在电动机驱动端和非驱动端的轴承端盖拧入温度传感器来进行保护。温度传感器的引接线引入电动机主接线盒内。

电动机轴承装两个 PT100 测温元件，选件号为 Q72，需 4 个辅助接线端子。

防潮加热保护

当电动机处于较为恶劣的环境时，比如湿度非常大或者昼夜温差比较大，电动机的绕组很可能出现凝露的现象，这会带来电动机烧毁的风险。对于这种情况，建议对电动机绕组配置防潮加热带（选件号：Q04）进行保护，需2个辅助接线端子。

电动机防潮加热带必须在电动机工作过程中处于不工作状态；当电动机停机时，防潮加热带必须启动工作，为绕组加热。防潮加热带的电气参数如下表所示。

防潮加热带电气参数

机座号 Frame size	功率 Power (W)	电压 Voltage
80 ~ 90	20	220 V
100 ~ 112	30	220 V
132 ~ 160	40	220 V
180 ~ 200	50	220 V
225 ~ 280	60	220 V

Bearing protection

Motors bearing has no protection as standard. For some severe application, such as high load, high coolant temperature and etc., the bearing is recommended to be protected. The bearing is protected through thermometers screwed into the bearing plates of motor driven end (DE) and non-drive-end (NDE). The wires are routed through the main connection box.

Installation of 2 PT100 screwed-in resistance thermometers for motor bearings, Option code: Q72. Connection be done through 4 auxiliary terminals in the connection box.

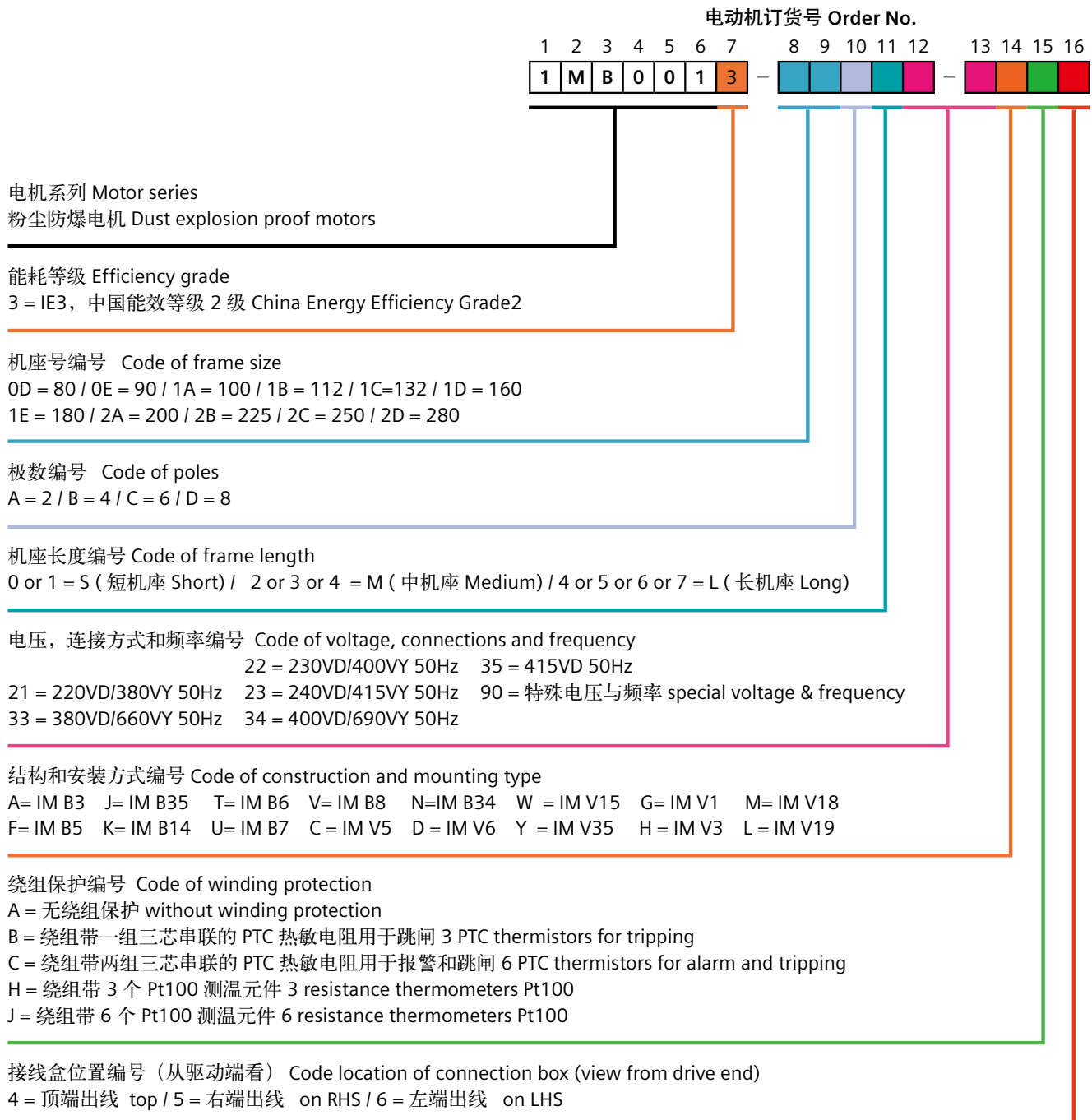
Anti-condensation heater

Motors whose windings are at risk of condensation due to the climatic conditions, e.g. inactive motors in humid atmospheres or motors that are subjected to widely fluctuating temperatures can be equipped with anti-condensation heaters (Option code: Q04), 2 auxiliary terminals in connection box are needed.”

Anti-condensation heaters must be switched off during operation. When motor shut down, the heaters must be switched on.

Electrical data of Anti-condensation heater

MLFB 介绍



选型技术数据表 Technical data table

中国能效等级2级, IE3

机座号 Frame Size	额定功率 Rated Output	型号 OrderNo.	额定转速 Rated Speed	效率—参照 GB18613-2012, 即 IEC 60034-30 Efficiency is in accordance with GB18613-2012, IEC 60034-30				额定转矩 Rated torque	起动电流 Starting Current	起动转矩 Starting torque	最大转矩 Max torque	转动惯量 Moment of inertia(J)	噪音 ¹⁾	噪音 ¹⁾	重量 Weight IMB3
				效率 Efficiency at (50HZ) 4/4 load	效率 Efficiency at (50HZ) 3/4 load	功率 因数 Power factor	额定 电流 Rated current						dB(A)	dB(A)	
	kW		rpm	%	%		A	Nm	直接起动对额定转矩 (电流)的倍数 For direct-on-line starting as multiple of the rated			kgm ²	dB(A)	dB(A)	Kg
3000rpm 2- pole 220VD380VY 50HZ															
80M	0.75	1MB0013-0DA22-1 □□□	2835	80.7	82.9	0.86	1.64	2.5	6.0	2.4	3.0	0.00208	51	62	17.5
80M	1.1	1MB0013-0DA32-1 □□□	2870	82.7	84.0	0.83	2.45	3.7	6.5	2.4	3.4	0.00154	51	62	19
90S	1.5	1MB0013-0EA02-1 □□□	2900	84.2	84.8	0.86	3.15	4.9	6.5	2.0	3.4	0.00276	55	67	24
90L	2.2	1MB0013-0EA42-1 □□□	2910	85.9	87.2	0.88	4.4	7.2	7.5	2.3	3.6	0.00356	55	67	29
100L	3	1MB0013-1AA42-1 □□□	2875	87.1	88.3	0.87	6	10.0	7.8	2.6	3.6	0.00462	62	74	40
3000rpm 2- pole 380VD/660VY 50HZ															
112M	4	1MB0013-1BA23-3 □□□	2925	88.1	89.6	0.90	7.7	13.1	7.8	2.6	3.6	0.0088	65	77	47
132S	5.5	1MB0013-1CA03-3 □□□	2930	89.2	90.2	0.89	10.5	17.9	7.5	2.3	3.6	0.0185	67	79	64
132S	7.5	1MB0013-1CA13-3 □□□	2925	90.1	91.5	0.90	14.1	24.5	7.5	2.3	3.6	0.0232	67	79	70
160M	11	1MB0013-1DA23-3 □□□	2935	91.2	92.0	0.89	20.5	35.8	7.5	2.3	2.5	0.039	69	81	100
160M	15	1MB0013-1DA33-3 □□□	2930	91.9	92.6	0.89	28	48.9	7.5	2.4	3.4	0.0472	69	81	109
160L	18.5	1MB0013-1DA43-3 □□□	2940	92.4	93.0	0.89	34	60.1	7.8	2.4	3.4	0.0577	69	81	131
180M	22	1MB0013-1EA23-3 □□□	2950	92.7	93.0	0.89	40.5	71.2	7.8	2.4	3.4	0.077	70	83	171
200L	30	1MB0013-2AA43-3 □□□	2955	93.3	93.4	0.87	56	97.0	7.8	2.4	3.4	0.133	71	84	238
200L	37	1MB0013-2AA53-3 □□□	2955	93.7	93.9	0.89	67	120	7.8	2.4	3.4	0.152	71	84	271
225M	45	1MB0013-2BA23-3 □□□	2960	94.0	94.3	0.89	82	145	7.8	2.4	3.2	0.254	72	85	340
250M	55	1MB0013-2CA23-3 □□□	2975	94.3	94.1	0.89	100	177	7.8	2.4	3.2	0.443	75	89	434
280S	75	1MB0013-2DA03-3 □□□	2975	94.7	94.8	0.89	135	241	7.2	2.4	3.0	0.78	77	91	540
280M	90	1MB0013-2DA23-3 □□□	2975	95.0	95.3	0.90	160	289	7.2	2.4	3.4	0.95	77	91	595

注:

¹⁾ 当电动机在50Hz电源供电空载运行时, 噪音容差为+3dB。当在60Hz电源下空载运行时, 噪音容差为+4dB。

Note:

¹⁾ Noise value is only applicable to the direct power supply and the condition of no-load operation. If the motor in 50Hz power supply, the tolerance is +3dB. If the motor in 60Hz power supply, the tolerance is +4dB.

选型技术数据表 Technical data table

中国能效等级2级, IE3

机座号 Frame Size	额定功率 Rated Output	型号 OrderNo.	额定转速 Rated Speed	效率—参照 GB18613-2012, 即 IEC 60034-30 Efficiency is in accordance with GB18613-2012, IEC 60034-30				额定转矩 Rated torque	起动电流 Starting Current	起动转矩 Starting torque	最大转矩 Max torque	转动惯量 Moment of inertia(J)	噪音 ¹⁾	噪音 ¹⁾	重量 Weight IMB3
				效率 Effeciency at (50HZ) 4/4 load	效率 Effeciency at (50HZ) 3/4 load	功率 因数 Power factor	额定 电流 Rated current						LpfA	LWA	
	kW		rpm	%	%		A	Nm	直接起动对额定转矩 (电流)的倍数 For direct-on-line starting as multiple of the rated			kgm ²	dB(A)	dB(A)	Kg
1500rpm 4- pole 220VD/380VY 50HZ															
80M	0.55	1MB0013-0DB22-1 □□□	1440	80.8	81.8	0.76	1.36	3.6	5.5	2.2	3.2	0.0216	45	56	18.0
80M	0.75	1MB0013-0DB32-1 □□□	1445	82.5	82.9	0.75	1.84	5.0	6.0	2.7	3.7	0.0025	45	56	19.0
90S	1.1	1MB0013-0EB02-1 □□□	1430	84.1	85.1	0.79	2.5	7.3	6.5	2.7	3.7	0.00389	47	59	24
90L	1.5	1MB0013-0EB42-1 □□□	1440	85.3	86.0	0.79	3.4	9.9	6.5	2.7	3.8	0.00499	47	59	28
100L	2.2	1MB0013-1AB42-1 □□□	1445	86.7	87.1	0.82	4.7	14.5	8.3	3.7	4.6	0.01125	52	64	43
100L	3	1MB0013-1AB52-1 □□□	1450	87.7	88.1	0.82	6.3	19.8	8.3	3.7	4.6	0.01313	52	64	47
1500rpm 4- pole 380VD/660VY 50HZ															
112M	4	1MB0013-1BB23-3 □□□	1450	88.6	89.6	0.82	8.4	26.3	8.3	3.7	4.6	0.0149	53	65	52
132S	5.5	1MB0013-1CB03-3 □□□	1455	89.6	90.9	0.84	11.1	36.1	7.8	2.4	3.8	0.0285	59	71	71
132M	7.5	1MB0013-1CB23-3 □□□	1455	90.4	91.7	0.85	14.8	49.2	7.8	2.4	3.8	0.0356	59	71	82
160M	11	1MB0013-1DB23-3 □□□	1460	91.4	92.4	0.86	21.5	72.0	7.8	2.4	3.8	0.0648	61	73	113
160L	15	1MB0013-1DB43-3 □□□	1460	92.1	92.9	0.86	29	98.1	7.8	2.6	3.8	0.0811	61	73	131
180M	18.5	1MB0013-1EB23-3 □□□	1470	92.6	93.0	0.83	36.5	120	7.8	2.6	3.6	0.126	63	76	172
180L	22	1MB0013-1EB43-3 □□□	1470	93.0	93.7	0.83	43.5	143	7.8	2.6	3.6	0.146	63	76	192
200L	30	1MB0013-2AB43-3 □□□	1470	93.6	94.3	0.84	58	195	7.8	2.6	3.6	0.22	63	76	252
225S	37	1MB0013-2BB03-3 □□□	1478	93.9	94.1	0.83	72	239	8.3	3.3	3.6	0.461	65	78	314
225M	45	1MB0013-2BB23-3 □□□	1478	94.2	94.2	0.85	85	291	8.3	3.3	3.6	0.479	65	78	343
250M	55	1MB0013-2CB23-3 □□□	1482	94.6	95.0	0.86	103	354	7.6	2.6	3.3	0.82	66	79	454
280S	75	1MB0013-2DB03-3 □□□	1485	95.0	95.3	0.86	139	482	7.6	2.6	3.0	1.31	66	80	550
280M	90	1MB0013-2DB23-3 □□□	1485	95.2	95.6	0.87	165	579	7.6	2.6	3.0	1.69	66	80	665

注:

¹⁾ 当电动机在50Hz电源供电空载运行时, 噪音容差为+3dB。当在60Hz电源下空载运行时, 噪音容差为+4dB。

Note:

¹⁾ Noise value is only applicable to the direct power supply and the condition of no-load operation. If the motor in 50Hz power supply, the tolerance is +3dB. If the motor in 60Hz power supply, the tolerance is +4dB.

选型技术数据表 Technical data table

中国能效等级2级, IE3

机座号 Frame Size	额定 功率 Rated Output	型号 OrderNo.	额定 转速 Rated Speed	效率—参照 GB18613-2012, 即 IEC 60034-30 Efficiency is in accordance with GB18613-2012, IEC 60034-30				额定 转矩 Rated torque	起动 电流 Starting Current	起动 转矩 Starting torque	最大 转矩 Max torque	转动惯量 Moment of inertia(J)	噪音 ¹⁾ Noise Lp(A)	噪音 ¹⁾ Noise LWA	重量 Weight IMB3
				效率 Efficiency at (50HZ) 4/4 load	效率 Efficiency at (50HZ) 3/4 load	功率 因数 Power factor	额定 电流 Rated current								
	kW		rpm	%	%	A	Nm	直接起动对额定转矩 (电流)的倍数 For direct-on-line starting as multiple of the rated	kgm ²	dB(A)	dB(A)	Kg			
1000rpm 6- pole 220VD/380VY 50HZ															
80M	0.55	1MB0013-0DC32-1 □□□	935	77.2	77.5	0.67	1.62	5.6	5.0	2.7	3.4	0.0031	44	55	21
90S	0.75	1MB0013-0EC02-1 □□□	940	78.9	80.3	0.70	2.05	7.6	5.0	2.4	3.2	0.00436	45	57	26
90L	1.1	1MB0013-0EC42-1 □□□	945	81.0	81.6	0.69	3	11.1	5.5	2.7	3.5	0.00513	45	57	29
100L	1.5	1MB0013-1AC42-1 □□□	945	82.5	84.1	0.74	3.75	15.2	5.5	2.7	3.5	0.01136	49	61	43
112M	2.2	1MB0013-1BC22-1 □□□	945	84.3	86.1	0.74	5.4	22.2	6.0	2.7	3.4	0.01451	53	65	50
132S	3	1MB0013-1CC02-1 □□□	965	85.6	86.6	0.75	7.1	29.7	6.0	2.7	4.0	0.02666	57	69	68
1000rpm 6- pole 380VD/660VY 50HZ															
132M	4	1MB0013-1CC23-3 □□□	955	86.8	88.5	0.75	9.3	40.0	6.0	2.3	3.4	0.0305	57	69	76
132M	5.5	1MB0013-1CC33-3 □□□	960	88.0	89.2	0.76	12.5	54.7	6.5	2.3	4.0	0.0413	57	69	87
160M	7.5	1MB0013-1DC23-3 □□□	965	89.1	90.4	0.78	16.4	74.2	6.5	2.3	3.6	0.126	61	73	112
160L	11	1MB0013-1DC43-3 □□□	970	90.3	90.3	0.77	24	108	7.0	2.3	3.6	0.1717	61	73	139
180L	15	1MB0013-1EC43-3 □□□	975	91.2	92.1	0.80	31	147	7.0	2.3	3.0	0.185	59	73	175
200L	18.5	1MB0013-2AC43-3 □□□	978	91.7	92.5	0.80	38.5	181	7.0	2.3	3.0	0.284	59	73	230
200L	22	1MB0013-2AC53-3 □□□	978	92.2	93.1	0.80	45.5	215	7.0	2.4	3.0	0.327	59	73	246
225M	30	1MB0013-2BC23-3 □□□	982	92.9	93.9	0.83	59	292	7.6	2.4	3.0	0.71	60	74	340
250M	37	1MB0013-2CC23-3 □□□	985	93.3	94.1	0.84	72	359	7.6	2.4	3.0	1.03	62	76	438
280S	45	1MB0013-2DC03-3 □□□	985	93.7	94.5	0.84	87	436	7.8	3.0	3.0	1.4	64	78	505
280M	55	1MB0013-2DC23-3 □□□	988	94.1	94.6	0.84	106	532	7.8	3.0	3.0	1.7	64	78	565

注:

¹⁾ 当电动机在50Hz电源供电空载运行时, 噪音容差为+3dB。当在60Hz电源下空载运行时, 噪音容差为+4dB。

Note:

¹⁾ Noise value is only applicable to the direct power supply and the condition of no-load operation. If the motor in 50Hz power supply, the tolerance is +3dB. If the motor in 60Hz power supply, the tolerance is +4dB.

选型技术数据表 Technical data table

中国能效等级2级, IE3

机座号 Frame Size	额定功率 Rated Output	型号 OrderNo.	额定转速 Rated Speed	效率—参照 GB18613-2012, 即 IEC 60034-30 Efficiency is in accordance with GB18613-2012, IEC 60034-30				额定转矩 Rated torque	起动电流 Starting Current	起动转矩 Starting torque	最大转矩 Max torque	转动惯量 Moment of inertia(J)	噪音 ¹⁾ Noise LpfA	噪音 ¹⁾ Noise LWA	重量 Weight IMB3
				效率 Efficiency at (50HZ) 4/4 load	效率 Efficiency at (50HZ) 3/4 load	功率因数 Power factor	额定电流 Rated current								
	kW		rpm	%	%	A	Nm	直接起动对额定转矩 (电流) 的倍数 For direct-on-line starting as multiple of the rated	kgm ²	dB(A)	dB(A)	Kg			
750rpm 8-pole 220VD/380VY 50HZ															
132S	2.2	1MB0013-1CD02-1 □□□□	725	81.9	82.6	0.73	5.6	29.0	6.0	2.4	3.0	0.039	51	64	60
132M	3	1MB0013-1CD22-1 □□□□	725	83.5	84.5	0.74	7.4	39.5	6.0	2.4	3.0	0.054	51	64	74
750rpm 8-pole 380VD/660VY 50HZ															
160M	4	1MB0013-1DD23-3 □□□□	728	84.8	86.4	0.74	9.7	52.5	5.5	1.7	2.8	0.092	55	68	93
160M	5.5	1MB0013-1DD33-3 □□□□	732	86.2	87.1	0.74	13.1	71.8	6.0	1.7	3.0	0.124	55	68	104
160L	7.5	1MB0013-1DD43-3 □□□□	732	87.3	88.3	0.74	17.6	97.8	6.0	1.8	3.0	0.16	55	68	121
180L	11	1MB0013-1ED43-3 □□□□	725	88.6	89.9	0.74	25.5	145	5.5	2.0	3.0	0.255	60	73	197
200L	15	1MB0013-2AD53-3 □□□□	728	89.6	90.2	0.73	35	197	6.5	2.3	3.5	0.411	61	74	261
225S	18.5	1MB0013-2BD03-3 □□□□	735	90.1	90.9	0.75	41.5	240	5.9	2.0	3.0	0.592	58	72	281
225M	22	1MB0013-2BD23-3 □□□□	732	90.6	91.5	0.75	49	287	5.9	2.0	2.5	0.609	58	72	305
250M	30	1MB0013-2CD23-3 □□□□	735	91.3	92.1	0.79	63	390	6.5	2.0	3.0	1.027	67	80	401
280S	37	1MB0013-2DD03-3 □□□□	736	91.8	92.8	0.79	78	480	5.5	1.7	2.5	1.41	69	82	470
280M	45	1MB0013-2DD23-3 □□□□	738	92.2	93.1	0.80	93	582	6.0	1.8	2.5	1.76	69	82	570

注:
¹⁾ 当电动机在50Hz电源供电空载运行时, 噪音容差为+3dB。当在60Hz电源下空载运行时, 噪音容差为+4dB。

Note:
¹⁾ Noise value is only applicable to the direct power supply and the condition of no-load operation. If the motor in 50Hz power supply, the tolerance is +3dB. If the motor in 60Hz power supply, the tolerance is +4dB.

选件 Options

选件号 Option Code	描述 Description	应用范围 Frame size scope
电压和频率 Voltage and Frequency		
1MB0013- □□□□ 2-1 □□□	220VD / 380VY 50Hz; 440VY 60Hz (60Hz output 60Hz 输出)	FS80-280
1MB0013- □□□□ 3-3 □□□	380VD / 660VY 50Hz; 440VD 60Hz (60Hz output 60Hz 输出)	FS80-280
1MB0013- □□□□ 2-2 □□□	230VD / 400VY 50Hz; 460VY 60Hz (60Hz output 60Hz 输出)	FS80-280
1MB0013- □□□□ 3-4 □□□	400VD / 690VY 50Hz; 460VD 60Hz (60Hz output 60Hz 输出)	FS80-280
1MB0013- □□□□ 2-3 □□□	240VD / 415VY 50Hz	FS80-280
1MB0013- □□□□ 3-5 □□□	415VD 50Hz	FS80-280
M1C	440VY 60Hz (60Hz output 60Hz 输出)	FS80-280
M1D	440VD 60Hz (60Hz output 60Hz 输出)	FS80-280
M1E	460VY 60Hz (60Hz output 60Hz 输出)	FS80-280
M1F	460VD 60Hz (60Hz output 60Hz 输出)	FS80-280
M2C	440VY 60Hz (50Hz output 50Hz 输出)	FS80-280
M2D	440VD 60Hz (50Hz output 50Hz 输出)	FS80-280
M2E	460VY 60Hz (50Hz output 50Hz 输出)	FS80-280
M2F	460VD 60Hz (50Hz output 50Hz 输出)	FS80-280
绕组保护 Winding protection		
1MB0013- □□□□□ - □□ A □	无绕组保护 Without winding protection	FS80-280
1MB0013- □□□□□ - □□ B □	三个 PTC 热敏电阻用于跳闸, 需用 2 个辅助接线端子 Motor protection with PTC thermistors with 3 embedded temperature sensors for tripping, need 2 terminals	FS80-280
1MB0013- □□□□□ - □□ C □	六个 PTC 热敏电阻用于报警和跳闸, 需用 4 个辅助接线端子 Motor protection with PTC thermistors with 6 embedded temperature sensors for alarm and tripping, need 4 terminals	FS80-280
1MB0013- □□□□□ - □□ H □	三个 PT100 传感器监测绕组温度, 需用 6 个辅助端子 Installation of 3 PT100 resistance thermometers in stator winding, need 6 terminals	FS100-280
1MB0013- □□□□□ - □□ J □	六个 PT100 传感器监测绕组温度, 需用 12 个辅助端子 Installation of 6 PT100 resistance thermometers in stator winding, need 12 terminals	FS100-280
N10	H 级绝缘系统 (180 °C) 180 °C (H) class insulation system	FS80-280
Q04	220V 防潮加热带 Anti-condensation heaters for 220V	FS80-280
接线盒 Connection box		
R10 ¹⁾	接线盒旋转 90 度, 出线口朝驱动端 Rotation of terminal box by 90°, entry from DE	FS132-280
R11	接线盒旋转 90 度, 出线口朝非驱动端 Rotation of terminal box by 90°, entry from NDE	FS80-280
R12	接线盒旋转 180 度 Rotation of terminal box by 180°	FS80-280
R15	配备一个金属葛兰和一个金属闷盖 1 metal cable glands+1 metal cover	FS80-280

选件 Options

选件号 Option Code	描述 Description	应用范围 Frame size scope
轴承 Bearing		
Q72	两个 PT100 传感器监测轴承温度 Installation of 2 PT100 screw-in resistance thermometers for bearing	FS180-280
L80	SKF 轴承 SKF bearings	FS80-280
L22 ²⁾	增强悬臂力 Increased cantilever force	FS100-280
L23 ³⁾	再润滑装置 Re-greasing device	FS160-250
L20	驱动端轴承固定 Located bearing at DE	FS80-160
平衡 Balance		
L00	振动等级 B 级 Vibration quantity level B	FS80-280
机械防护 Mechanical design and protection grade		
H00 ⁴⁾	防雨帽 Motor with protective cover	FS80-280
H70	第二外部接地 2nd External grounding	FS80-280
铭牌和测试报告 Nameplate and Testing Certificate		
B02	例行检测报告 Routine test report	FS80-280
油漆 Paint finish		
S01	不喷面漆，仅有底漆 Unpainted, only primed	FS80-280
W88	符合腐蚀性使用环境 W 和 WF1 的油漆 (JB5275.91) Satisfy the requirements of W, WF1 series anticorrosive motor acc. to JB5275.91	FS80-280

¹⁾ 选择此项时需留意安装环境，请确认进线孔前方有足够的空间用于接入电缆；

²⁾ FS100和FS112 不能选L22+L20复合选项；

³⁾ 对于FS280加排油装置是标配；

⁴⁾ 仅适用于IMV1、IMV5、IMV15、IMV18安装结构型式；

¹⁾ When ordering this option, please take care about the installation location that whether there is enough space for cable inserting;

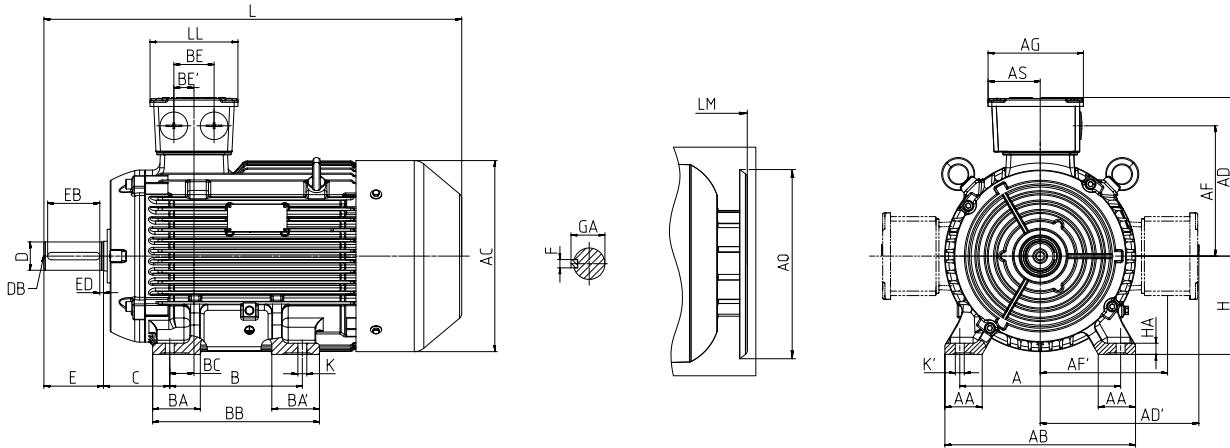
²⁾ For FS100 and FS112, L22+L20 can't be selected;

³⁾ Re-grease device is configured as standard for FS280;

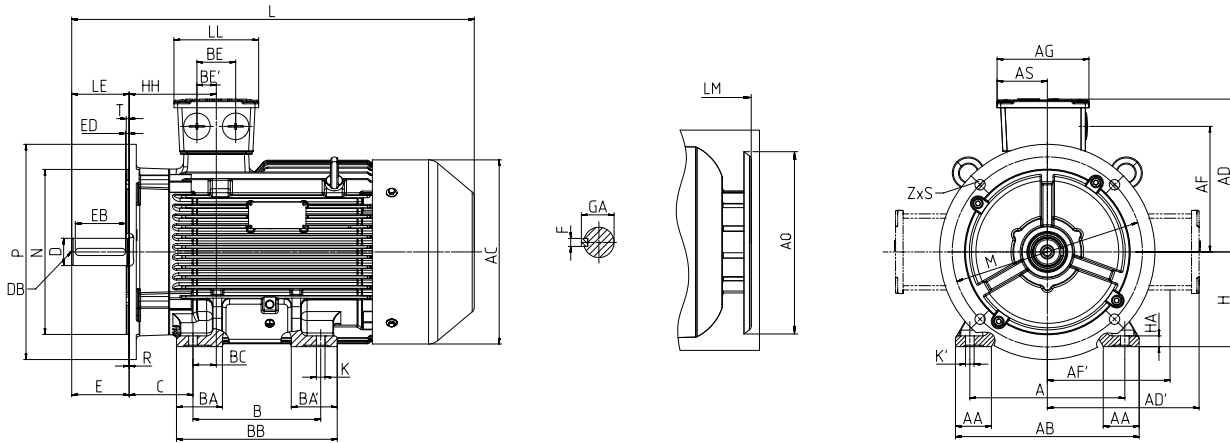
⁴⁾ It is applicable only for IMV1, IMV5, IMV15 and IMV18;

外形尺寸 Dimension drawings

IM B3 安装结构型式 IM B3 construction type



IM B35 安装结构型式 IM B35 construction type

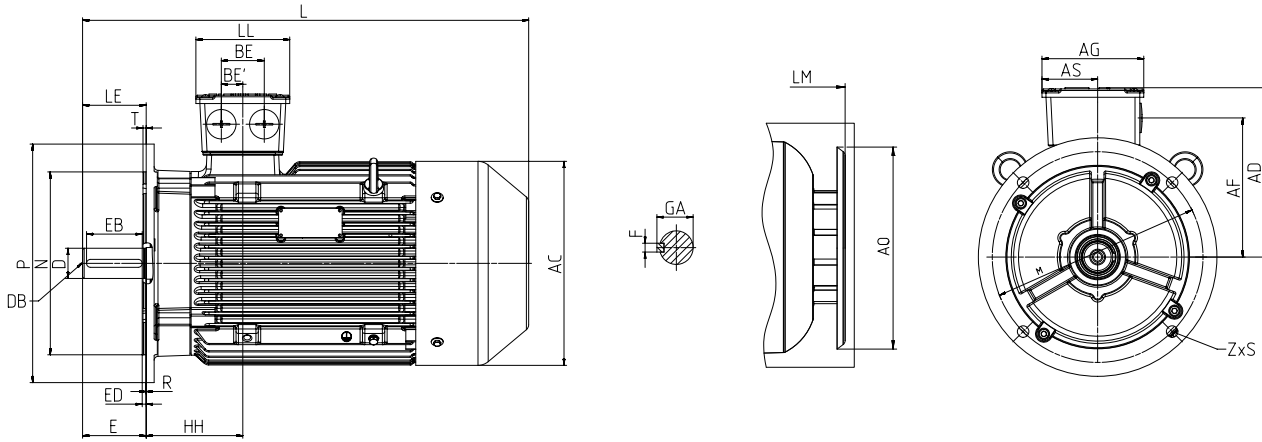


机座号 Frame size	订货号 MLFB 1MB0013	极数 Poles	尺寸及公差 /mm Dimension and tolerance											
			A	B	C		D		E		F		GA	H
			基本尺寸 Dimension	极限偏差 Tolerance	基本尺寸 Dimension	极限偏差 Tolerance	基本尺寸 Dimension	极限偏差 Tolerance	基本尺寸 Dimension	极限偏差 Tolerance	基本尺寸 Dimension	极限偏差 Tolerance	基本尺寸 Dimension	基本尺寸 Dimension
80M	0DA2, 0DA3, 0DB2, 0DB3, 0DC3	2,4,6	125	100	50	±1.5	19	+ 0.009 - 0.004	40	±0.31	6	0 - 0.030	21.5	80
90S	0EA0, 0EB0, 0ECO	2,4,6	140	100	56	±1.5	24	+ 0.009 - 0.004	50	±0.31	8	0 - 0.036	27	90
90L	0EA4, 0EB4, 0EC4	2,4,6	140	125	56	±1.5	24	+ 0.009 - 0.004	50	±0.31	8	0 - 0.036	27	90
100L	1AA4, 1AB4, 1AB5, 1AC4	2,4,6	160	140	63	±2.0	28	+ 0.009 - 0.004	60	±0.37	8	0 - 0.036	31	100
112M	1BA2, 1BB2, 1BC2	2,4,6	190	140	70	±2.0	28	+ 0.009 - 0.004	60	±0.37	8	0 - 0.036	31	112
132S	1CA0, 1CA1, 1CB0, 1CC0, 1CD0	2,4,6,8	216	140	89	±2.0	38	+ 0.018 + 0.002	80	±0.37	10	0 - 0.036	41	132
132M	1CB2, 1CC2, 1CC3, 1CD2	4,6,8	216	178	89	±2.0	38	+ 0.018 + 0.002	80	±0.37	10	0 - 0.036	41	132
160M	1DA2, 1DA3, 1DB2, 1DC2, 1DD2, 1DD3	2,4,6,8	254	210	108	±3.0	42	+ 0.018 + 0.002	110	±0.43	12	0 - 0.043	45	160
160L	1DA4, 1DB4, 1DC4, 1DD4	2,4,6,8	254	254	108	±3.0	42	+ 0.018 + 0.002	110	±0.43	12	0 - 0.043	45	160
180M	1EA2, 1EB2	2,4	279	241	121	±3.0	48	+ 0.018 + 0.002	110	±0.43	14	0 - 0.043	51.5	180
180L	1EB4, 1EC4, 1ED4	4,6,8	279	279	121	±3.0	48	+ 0.018 + 0.002	110	±0.43	14	0 - 0.043	51.5	180

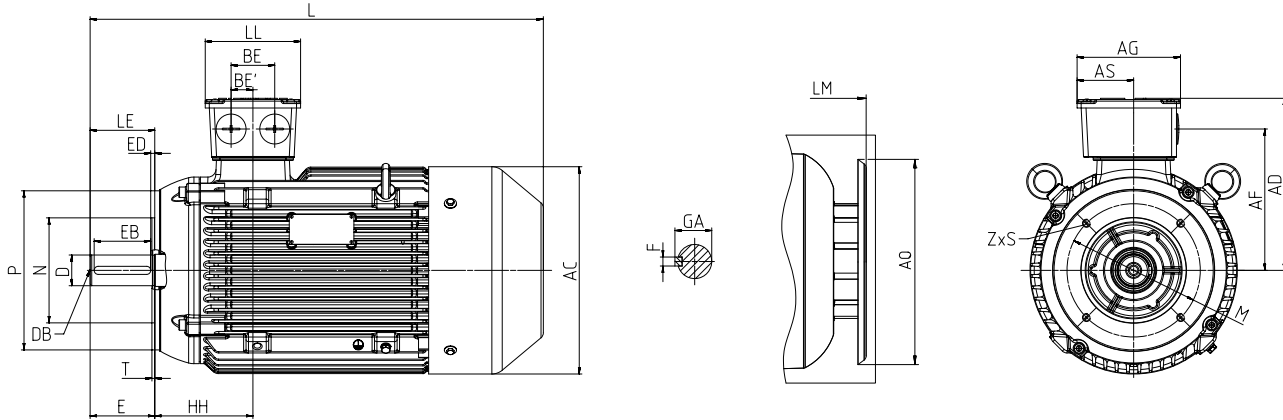
¹⁾ 此尺寸为 80~280 顶出线、右出线及 80~160 左出线值，当 FS180~280 左出线时见表 2

The data for terminal box on top or right in FS80~280 and terminal box on left in FS80~160. When terminal box on left in FS180~280, please find the data in table 2.

IM B5 安装结构型式 IM B5 construction type



IM B14 安装结构型式 Type of construction IM B14

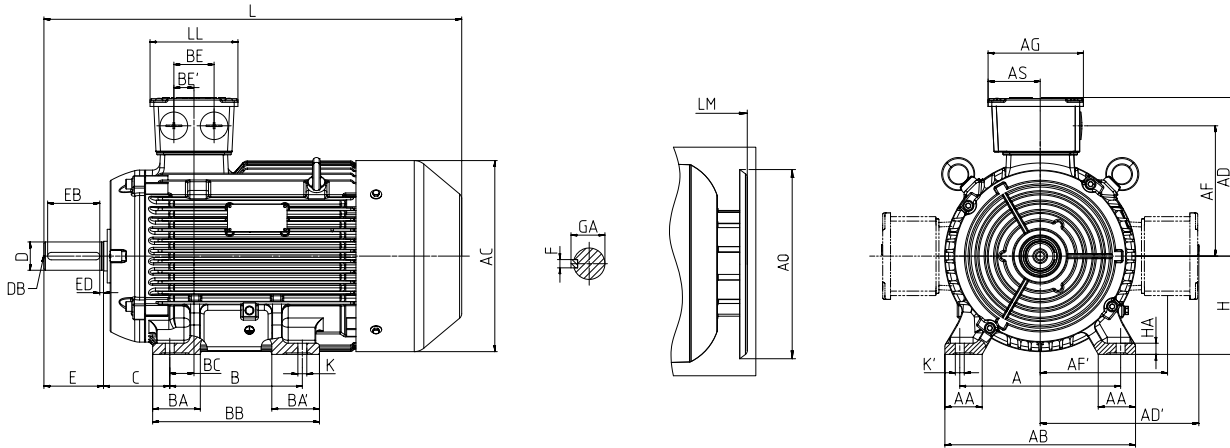


尺寸及公差 /mm Dimension and tolerance

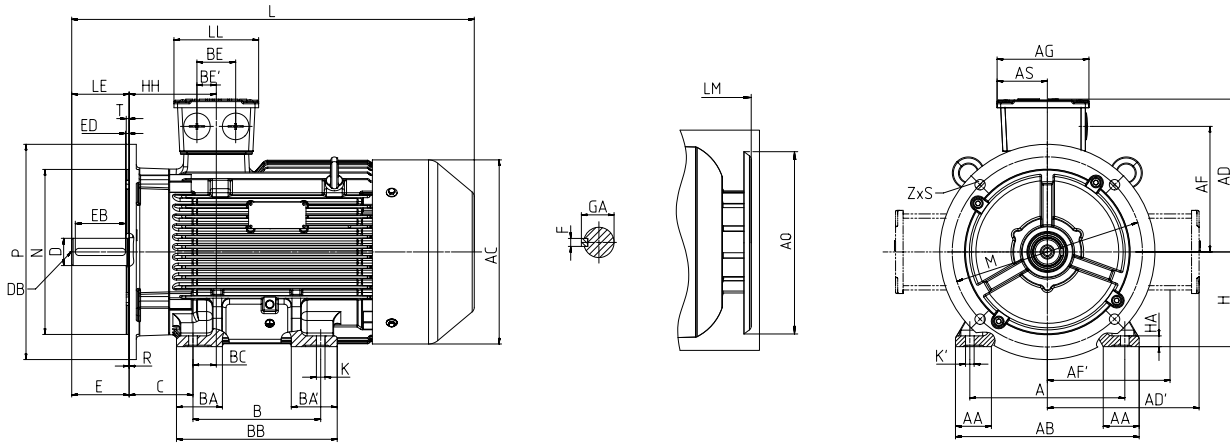
H	K/K'		AB	AC	AD/ AD'	L	AA	BA/ BA' ¹⁾	AF/ AF'	AG	AS	BB ¹⁾	BE	HA	LL	DB	EB		ED	AQ	LM	HH	R
	极限偏差 Tolerance	基本尺寸 Dimension															极限偏差 Tolerance	基本尺寸 Dimension					
0 - 0.5	10	+ 0.36 0	160	165	145	335	40	50	108	120	70	140	42	10	115	M6x16	32	+ 0.30 0	4	145	385	76	0
0 - 0.5	10	+ 0.36 0	180	180	155	375	40	50	120	120	70	145	42	10	115	M8x19	40	+ 0.30 0	5	165	425	79	0
0 - 0.5	10	+ 0.36 0	180	180	155	400	40	50	120	120	70	170	42	10	115	M8x19	40	+ 0.30 0	5	165	450	79	0
0 - 0.5	12	+ 0.43 0	200	205	180	465	45	50	140	130	75	180	54	12	125	M10x22	50	+ 0.30 0	5	185	515	94	0
0 - 0.5	12	+ 0.43 0	230	225	193	455	50	55	152	130	75	185	54	15	125	M10x22	50	+ 0.30 0	5	205	505	92	0
0 - 0.5	12	+ 0.43 0	260	260	213	520	55	70	175	130	75	190	54	15	125	M12x28	70	+ 0.30 0	5	240	570	122	0
0 - 0.5	12	+ 0.43 0	260	260	213	565	55	70	175	130	75	230	54	15	125	M12x28	70	+ 0.30 0	5	240	615	122	0
0 - 0.5	15	+ 0.43 0	320	320	255	620	65	75	206	190	100	265	68	20	165	M16x36	100	+ 0.50 0	5	295	680	159	0
0 - 0.5	15	+ 0.43 0	320	320	255	680	65	75	206	190	100	305	68	20	165	M16x36	100	+ 0.50 0	5	295	740	159	0
0 - 0.5	15	+ 0.43 0	340	360	275	725	70	85	223	190	100	305	68	22	165	M16x36	100	+ 0.50 0	5	330	785	158	0
0 - 0.5	15	+ 0.43 0	340	360	275	765	70	85	223	190	100	345	68	22	165	M16x36	100	+ 0.50 0	5	330	825	158	0

外形尺寸 Dimension drawings

IM B3 安装结构型式 IM B3 construction type



IM B35 安装结构型式 IM B35 construction type



机座号 Frame size	订货号 MLFB 1MB0013	极数 Poles	尺寸及公差 /mm Dimension and toleranc											
			A	B	C		D		E		F		GA	H
			基本尺寸 Dimension	基本尺寸 Dimension	基本尺寸 Dimension	极限偏差 Tolerance	基本尺寸 Dimension	极限偏差 Tolerance	基本尺寸 Dimension	极限偏差 Tolerance	基本尺寸 Dimension	极限偏差 Tolerance	基本尺寸 Dimension	基本尺寸 Dimension
200L	2AA4, 2AA5, 2AB4, 2AC4, 2AC5, 2AD5	2,4,6,8	318	305	133	±3.0	55	+0.030 +0.011	110	±0.43	16	0 -0.043	59	200
225S	2BB0, 2BD0	4,8	356	286	149	±4.0	60	+0.030 +0.011	140	±0.5	18	0 -0.043	64	225
225M	2BA2	2	356	311	149	±4.0	55	+0.030 +0.011	110	±0.43	16	0 -0.043	59	225
	2BB2, 2BC2, 2BD2	4,6,8	356	311	149	±4.0	60	+0.030 +0.011	140	±0.5	18	0 -0.043	64	225
250M	2CA2	2	406	349	168	±4.0	60	+0.030 +0.011	140	±0.5	18	0 -0.043	64	250
	2CB2, 2CC2, 2CD2	4,6,8	406	349	168	±4.0	65	+0.030 +0.011	140	±0.5	18	0 -0.043	69	250
280S	2DA0	2	457	368	190	±4.0	65	+0.030 +0.011	140	±0.5	18	0 -0.043	69	280
	2DB0, 2DC0, 2DD0	4,6,8	457	368	190	±4.0	75	+0.030 +0.011	140	±0.5	20	0 -0.052	79.5	280
280M	2DA2	2	457	419	190	±4.0	65	+0.030 +0.011	140	±0.5	18	0 -0.043	69	280
	2DB2, 2DC2, 2DD2	4,6,8	457	419	190	±4.0	75	+0.030 +0.011	140	±0.5	20	0 -0.052	79.5	280

¹⁾ 此尺寸为 80~280 顶出线、右出线及 80~160 左出线值，当 FS180~280 左出线时见表 2

The data for terminal box on top or right in FS80~280 and terminal box on left in FS80~160. When terminal box on left in FS180~280, please find the data in table 2.

IM B5 安装结构型式 IM B5 construction type

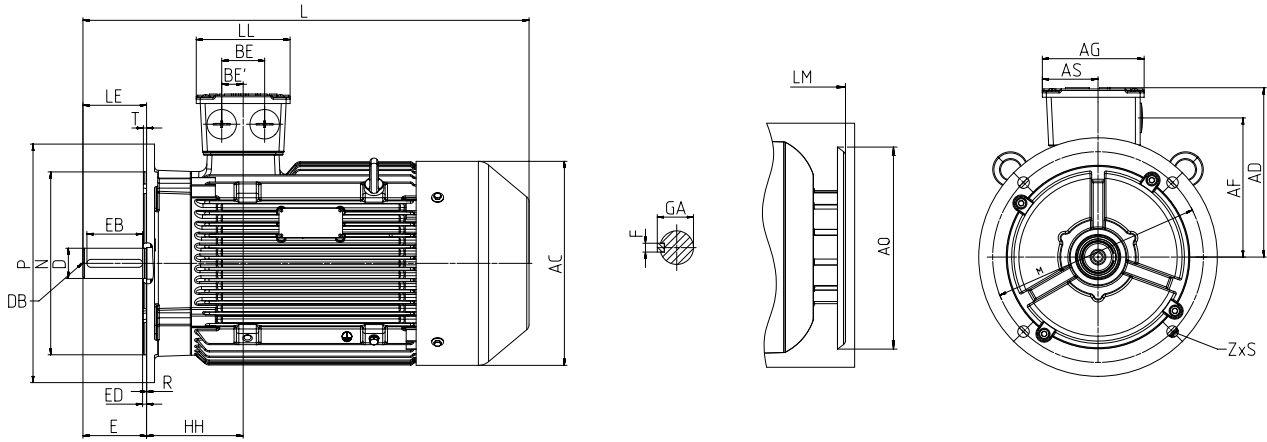


表 2 Table 2

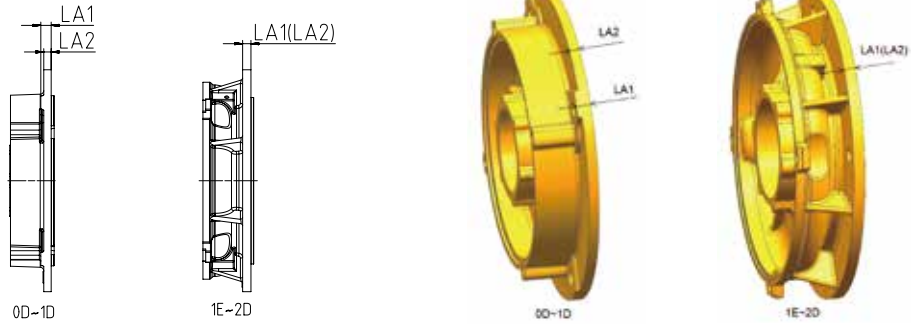
机座号 Frame size	BA	BA'	BB
180	55	90	335
200	70	70	360
225	65	90	365
250	80	80	415
280	80	130	485

尺寸及公差 /mm Dimension and tolerance

H	K/K'		AB	AC	AD/ AD'	L	AA	BA/ BA' 1)	AF/ AF'	AG	AS	BB ¹⁾	BE	HA	LL	DB	EB		ED	AQ	LM	HH	R
	极限偏差 Tolerance	基本尺寸 Dimension															极限偏差 Tolerance	基本尺寸 Dimension					
0 - 0.5	19	+ 0.52 0	380	400	310	815	75	85	250.0	245	110	375	85	25	220	M20x42	100	+ 0.50 0	5	370	875	203	0
0 - 0.5	19	+ 0.52 0	440	445	330	825	85	95	256	245	110	355	85	34	220	M20x42	125	+ 0.50 0	10	420	885	212	0
0 - 0.5	19	+ 0.52 0	440	445	330	850	85	95	256	245	110	380	85	34	220	M20x42	100	+ 0.50 0	5	420	910	212	0
0 - 0.5	19	+ 0.52 0	440	445	330	880	85	95	256	245	110	380	85	34	220	M20x42	125	+ 0.50 0	10	420	940	212	0
0 - 0.5	24	+ 0.52 0	490	495	380	970	95	105	296	295	130	425	84	40	250	M20x42	125	+ 0.50 0	10	460	1040	260	0
0 - 0.5	24	+ 0.52 0	490	495	380	970	95	105	296	295	130	425	84	40	250	M20x42	125	+ 0.50 0	10	460	1040	260	0
0 - 1.0	24	+ 0.52 0	545	545	420	995	105	120	353	295	130	460	84	40	250	M20x42	125	+ 0.50 0	10	520	1065	262	0
0 - 1.0	24	+ 0.52 0	545	545	420	995	105	120	353	295	130	460	84	40	250	M20x42	125	+ 0.50 0	10	520	1065	262	0
0 - 1.0	24	+ 0.52 0	545	545	420	1045	105	120	353	295	130	510	84	40	250	M20x42	125	+ 0.50 0	10	520	1115	262	0
0 - 1.0	24	+ 0.52 0	545	545	420	1045	105	120	353	295	130	510	84	40	250	M20x42	125	+ 0.50 0	10	520	1115	262	0

外形尺寸 Dimension drawings

IM B5 法兰尺寸 IM B5 flange dimensions



机座号 Frame size	IM B5/IM B35 法兰尺寸 IM B5/IM B35 flange dimensions								
	尺寸 Dimensions								
	LA1	LA2	LE	M	N	P	T	S	Z
80	10	7	40	165	130	200	3.5	12	4
90	10	7	50	165	130	200	3.5	12	4
100	11	8	60	215	180	250	4	14.5	4
112	11	8	60	215	180	250	4	14.5	4
132	14	10	80	265	230	300	4	14.5	4
160	14	10	110	300	250	350	5	18.5	4
180		14	110	300	250	350	5	18.5	4
200		15	110	350	300	400	5	18.5	4
225		16	110/140	400	350	450	5	18.5	8
250		18	140	500	450	550	5	18.5	8
280		18	140	500	450	550	5	18.5	8

机座号 Frame size	IM 14 法兰尺寸 IM B14 flange dimensions						
	尺寸 Dimensions						
	LE	M	N	P	T	S	Z
80	40	100	80	120	3	M6	4
90	50	115	95	140	3	M8	4
100	60	130	110	160	3.5	M8	4
112	60	130	110	160	3.5	M8	4
132	80	165	130	200	3.5	M10	4
160	110	215	180	250	4	M12	4

北方区

北京
北京市朝阳区望京中环南路7号
电话: 400 616 2020

包头
内蒙古自治区包头市昆区钢铁大街74号
财富中心1905室
电话: (0472) 520 8828

济南
山东省济南市舜耕路28号
舜耕山庄商务会所5层
电话: (0531) 8266 6088

青岛
山东省青岛市香港中路76号
颐中假日酒店4楼
电话: (0532) 8573 5888

烟台
山东省烟台市南大街9号
金都大厦16层1606室
电话: (0535) 212 1880

淄博
山东省淄博市张店区中心路177号
淄博饭店7层
电话: (0533) 218 7877

潍坊
山东省潍坊市奎文区四平路31号
鸢飞大酒店2408房间
电话: (0536) 822 1866

济宁
山东省济宁市市中区太白东路55号
万达写字楼1306室
电话: (0537) 316 6887

天津
天津市和平区南京路189号
津汇广场写字楼1401室
电话: (022) 8319 1666

唐山
河北省唐山市建设北路99号
火炬大厦1308室
电话: (0315) 317 9450/51

石家庄
河北省石家庄市中山东路303号
世贸广场酒店1309号
电话: (0311) 8669 5100

太原
山西省太原市府西街69号
国际贸易中心西塔16层1609B-1610室
电话: (0351) 868 9048

呼和浩特
内蒙古呼和浩特市乌兰察布西路
内蒙古饭店10层1022室
电话: (0471) 620 4133

东北区

沈阳
沈阳市沈河区青年大街1号市
府恒隆广场41层
电话: (024) 8251 8111

大连
辽宁省大连市高新园区
七贤岭广贤路117号
电话: (0411) 8369 9760

长春
吉林省长春市亚泰大街3218号
通钢国际大厦22层
电话: (0431) 8898 1100

哈尔滨
黑龙江省哈尔滨市南岗区红军街15号
奥威斯发展大厦30层A座
电话: (0451) 5300 9933

华西区

成都
四川省成都市高新区拓新东街81号
天府软件园C6栋1/2楼
电话: (028) 6238 7888

重庆
重庆市渝中区邹容路68号
大都会商厦18层1807-1811
电话: (023) 6382 8919

贵阳
贵州省贵阳市南明区花果园后街
彭家湾E7栋(国际金融街1号)
14楼01&02室
电话: (0851) 8551 0310

昆明
云南昆明市北京路155号
红塔大厦1204室
电话: (0871) 6315 8080

西安
西安市高新区锦业一路11号
西安国家服务外包示范基地一区D座3层
电话: (029) 8831 9898

乌鲁木齐
新疆乌鲁木齐市五一一路160号
新疆福大饭店贵宾楼918室
电话: (0991) 582 1122

银川
银川市北京东路123号
太阳神大酒店A区1507房间
电话: (0951) 786 9866

兰州
甘肃省兰州市东岗西路589号
锦江阳光酒店2206室
电话: (0931) 888 5151

华东区

上海
上海杨浦区大连路500号
西门子上海中心
电话: 400 616 2020

杭州
浙江省杭州市西湖区杭大路15号
嘉华国际商务中心1505室
电话: (0571) 8765 2999

宁波
浙江省宁波市江东区沧海路1926号
上东国际2号楼2511室
电话: (0574) 8785 5377

绍兴
浙江省绍兴市解放北路
玛格丽特商业中心西区2幢
玛格丽特酒店10层1020室
电话: (0575) 8820 1306

温州
浙江省温州市车站大道577号
财富中心1506室
电话: (0577) 8606 7091

南京
江苏省南京市中山路228号
地铁大厦17层
电话: (025) 8456 0550

扬州
江苏省扬州市邗江区博物馆路547号
德馨大厦1508室
电话: (0514) 8789 4566

扬中
江苏省扬中市前进北路52号
扬中宾馆明珠楼318室
电话: (0511) 8832 7566

徐州
江苏省徐州市泉山区科技大道
科技大厦713室
电话: (0516) 8370 8388

苏州
江苏省苏州市新加坡工业园苏华路2号
国际大厦11层17-19单元
电话: (0512) 6288 8191

无锡
江苏省无锡市县前东街1号
金陵大酒店2401-2402室
电话: (0510) 8273 6868

南通
江苏省南通市崇川区桃园路8号
中南世纪城17栋1104室
电话: (0513) 8102 9880

常州
江苏省常州市关河东路38号
九洲寰宇大厦911室
电话: (0519) 8989 5801

盐城
江苏省盐城市盐都区
华邦国际东A区2008室
电话: (0515) 8836 2680

昆山
江苏省昆山市前进东路389号
台协大厦1502室
电话: (0512) 55118321

华南区

广州
广东省广州市天河路208号
天河城侧粤海天河城大厦8-10层
电话: (020) 3718 2222

佛山
广东省佛山市南海区灯湖东路1号
友邦金融中心2座33楼3单元
电话: (0757) 8232 6710

珠海
广东省珠海市香洲区梅华西路166号
西藏大厦1303A室。
电话: (0756) 335 6135

南宁
广西省南宁市金湖路63号
金源现代城9层935室
电话: (0771) 552 0700

深圳
广东省深圳市南山区华侨城
汉唐大厦9楼
电话: (0755) 2693 5188

东莞
广东省东莞市南城区宏远路1号
宏远大厦1510室
电话: (0769) 2240 9881

汕头
广东省汕头市金砂路96号
金海湾大酒店19楼1920室
电话: (0754) 8848 1196

海口
海南省海口市滨海大道69号
宝华海景大酒店803房
电话: (0898) 6678 8038

福州
福州市晋安区王庄街道长乐中路3号
福晟国际中心21层
电话: (0591) 8750 0888

厦门
福建省厦门市厦禾路189号
银行中心21层2111-2112室
电话: (0592) 268 5508

华中区

武汉
湖北省武汉市武昌区中南路99号
武汉保利大厦21楼2102室
电话: (027) 8548 6688

合肥
安徽省合肥市濉溪路278号
财富广场首座27层2701-2702室
电话: (0551) 6568 1299

宜昌
湖北省宜昌市东山大道95号
清江大厦2011室
电话: (0717) 631 9033

长沙
湖南省长沙市天心区湘江中路二段36号
华远国际中心24楼2416室
电话: (0731) 8446 7770

南昌
江西省南昌市北京西路88号
江信国际大厦14楼1403/1405室
电话: (0791) 8630 4866

郑州
河南省郑州市中原区中原中路220号
裕达国贸中心写字楼2506房间
电话: (0371) 6771 9110

洛阳
河南省洛阳市涧西区西苑路6号
友谊宾馆516室
电话: (0379) 6468 3519

技术培训
北京: (010) 6476 8958
上海: (021) 6281 5933
广州: (020) 3718 2012
武汉: (027) 8773 6238/8773 6248-601
沈阳: (024) 8251 8220
重庆: (023) 6381 8887

技术支持与服务热线
电话: 400 810 4288
(010) 6471 9990
E-mail: 4008104288.cn@siemens.com
Web: www.4008104288.com.cn

亚太技术支持(英文服务)
及软件授权维修热线
电话: (010) 6475 7575
传真: (010) 6474 7474
Email: support.asia.automation@siemens.com

公司热线
400 616 2020

直接扫描
获得本书
PDF文件



扫码关注
西门子中国
官方微信



西门子(中国)有限公司
数字化工业集团

如有变动,恕不事先通知
订货号: DIMC-C80005-00-5DCN
5221-SH903935-12193

西门子版权所有

本宣传册中提供的信息只是对产品的一般说明和特性介绍。文中内容可能与实际应用的情况有所出入,并且可能会随着产品的进一步开发而发生变化。仅当相关合同条款中有明确规定时,西门子方有责任提供文中所述的产品特性。

宣传册中涉及的所有名称可能是西门子或其供应商的商标或产品名称,如果第三方擅自使用,可能会侵犯所有者的权利。